

LittleGIANT®

WATER SYSTEMS PRODUCT CATALOG



TABLE OF CONTENTS

INLINE PRESSURE SOLUTIONS

Inline CP.....	2
Inline 400.....	4
Inline Controls.....	6

JET PUMPS

Shallow Well Jet Pumps.....	12
Shallow Well Jet Pump Systems.....	14
Convertible Jet Pumps.....	16
Convertible Jet Pump Systems.....	18
Utility Jet Pumps.....	20

LAWN SPRINKLER PUMPS

LSP Series.....	22
-----------------	----

END SUCTION PUMPS

CP Series.....	24
----------------	----

PRESSURE TANKS

RL Series.....	26
----------------	----

4" SUBMERSIBLE WELL PUMPS

5 GPM.....	28
8 GPM.....	32
12 GPM.....	36
16 GPM.....	40
22 GPM.....	44

4" HIGH CAPACITY PUMPS

35 GPM.....	48
60 GPM.....	52
90 GPM.....	56

CONTROL BOXES

QD, Standard, & Deluxe.....	60
-----------------------------	----

MOTORS

4" Submersible Motors.....	62
----------------------------	----

REFERENCE

Specifications.....	64
Glossary.....	65

For the most up-to-date product information, visit littlegiant.com.

INLINE CP

APPLICATIONS

- Municipal water or private well systems
- Multi-family dwellings: duplexes, triplexes, and quads
- Increased and constant water pressure from water systems
- Irrigation and water reclamation systems
- Pressure regulation and boosting

FEATURES

- Increases pressure by up to 60 psi
- Handles up to 35 gpm
- Complete packaged system
- Small and compact design
- Simple and easy installation
- NEMA 4 electronics enclosure
- Mount in any configuration
- Product power rating: 1-1/2 hp, 0.9 kW
- Built-in system protections guard against many common failure modes including: surge protection, voltage underload, locked pump, open circuit, short circuit, and overheated controller
- Capable of operating with more than one pump in parallel for larger volume demand applications
- cCSAus listed



SERIES SPECIFICATIONS

Item No.	Model Description	Input Voltage	Input Phase
90411101	25LGL1100N4 1 (Inline CP)*	230	Single

*Includes pump, motor, drive, pressure switch, and all cables

REPLACEMENT PARTS & KITS

Item No.	Model Description	Input Voltage	Input Phase
604452	Pressure Tank (2-gallon) Total Volume	-	-
604453	Pressure Tank (4-gallon) Total Volume	-	-
225970901	High Pressure Sensor Kit	-	-
305707902	Pump Motor Assembly	230	Three
305707903	Mounting Feet	-	-
305707904	Fastener Kit	-	-
305707905	Pressure Sensor Cable	-	-
305707906	Pressure Sensor	-	-
305707907	Drive Assembly	230	Single
305707908	Overpressure Shut-off Switch Cable*	-	-
305707909	Overpressure Shut-off Switch*	-	-
305707912	Over Pressure Shut-off Sensor/Cable Kit*	-	-
5850012000	Duplex Alternator	115	Single

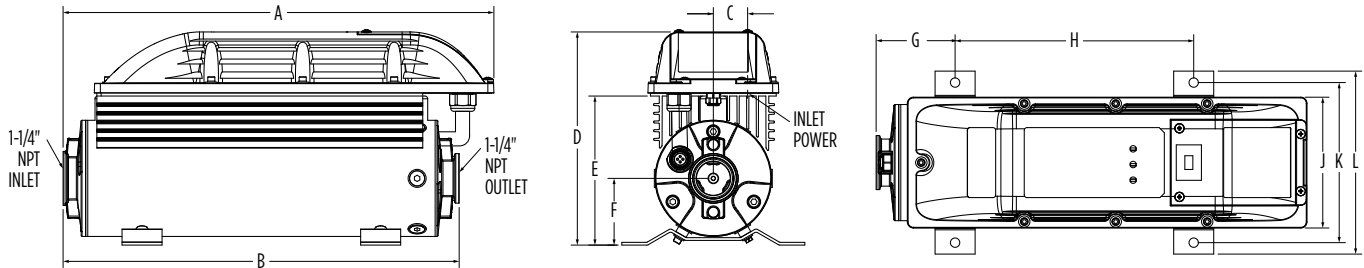
*Overpressure switch is sold as an accessory and is not required for normal operation

INLINE PRESSURE SOLUTIONS



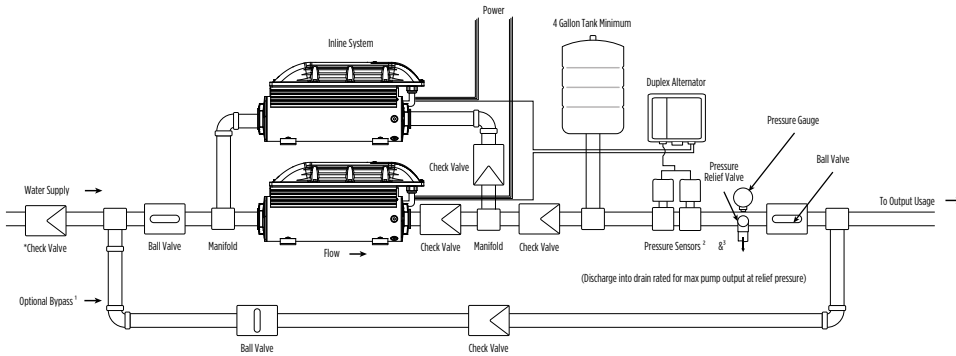
INLINE CP

ENGINEERING DATA



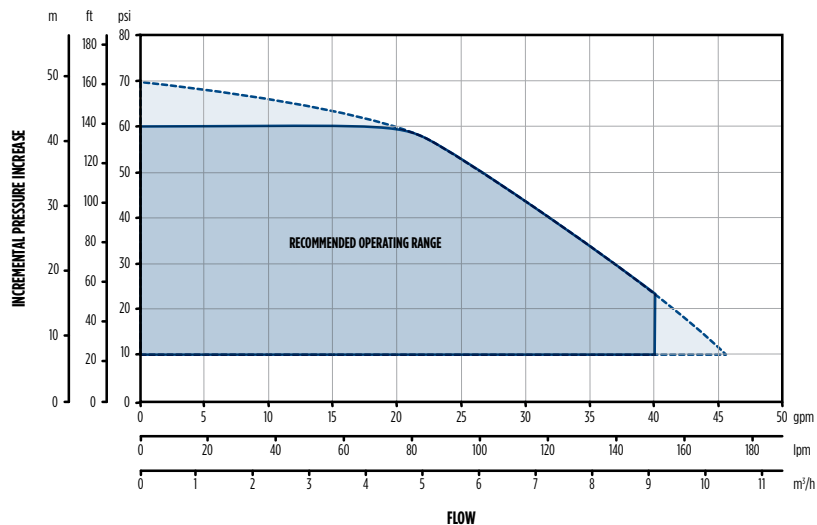
A	B	C	D	E	F	G	H	J	K	L
18.84" (47.9 cm)	17.32" (44.0 cm)	1.50" (3.8 cm)	9.31" (23.6 cm)	6.65" (16.9 cm)	2.92" (7.4 cm)	3.45" 8.7 cm	10.43 (26.5 cm)	5.73" (14.6 cm)	7.00" (17.8 cm)	8.00" (20.3 cm)

TYPICAL INSTALLATION



* If system plumbing does not have a backflow prevention device, a check valve is required on the incoming water supply line
 NOTE: Optional components are shown in a typical installation diagram and should be used at the installer's discretion as required for particular applications; 2 gallon total volume tank is a recommendation only—other tank sizes are acceptable based on specific application conditions.

PERFORMANCE DATA



Note: Running outside of "Recommended operating range" for short periods of time is permissible.

INLINE 400

APPLICATIONS

- City water pressure boosting
- Pressurize water from cistern tank
- Re-pressurizing after filtration
- Irrigation system boosting

FEATURES

- Utilizes proven Franklin Electric pump and motor to create the most trustworthy product on the market
- Simple flow-based controls mean you get the pressure every time you need it
- Protective cap comes standard for outdoor use (for vertical applications only)
- Whisper-quiet operation
- Installs vertically or horizontally
- 1-1/4" NPT inlet and outlet
- 115 V and 230 V models available
- Plug-in electrical cord connected unit
- Protective features: Over/Under voltage protection, dry run, and over temperature
- Product power rating: 1/3 hp, 0.246 kW
- Maximum water temperature: 120 °F/49 °C
- cULus listed
- Classified UL Water Mechanical Device NSF/ANSI 61 and 372 Cold Water 6R21



SERIES SPECIFICATIONS

Item No	Model	HP	Watts	Input Voltage	Hz	Amps (SFS)	Discharge Pressure (PSI)					Cord	Weight
							14	32	44	51	55		
							Performance GPM (LPM)						
92061503	Inline 400	1/3	250	115	60	6.6	20 (75.7)	15 (56.7)	10 (37.8)	5 (18.9)	0 (0)	6' (1.8 m) w/plug	35 lbs. (15.9 Kg)
92061533	Inline 400 115 V w/Expansion Tank			115	60	6.6							
92061504	Inline 400			230	60	3.3							
92061534	Inline 400 230 V w/Expansion Tank			230	60	3.3							

REPLACEMENT PARTS & KITS

Item No.	Model Description
305572001	Tank Wrench
305572007	Pressure Switch
305572009	Replacement Tank
305572010	Replacement Cover
305572011	Replacement Base
305572012	Motor Capacitor - 115 V
305572013	Motor Capacitor - 230 V
305572014	Power Cord - 115 V
305572015	Power Cord - 230 V
305572016	Flow Piston Kit
305572017	Tank O-ring
305572018	Outdoor Protective Cap Kit
305572026	Expansion Tank, 2 Liter, 1" MNPT Connection

Protective Cap

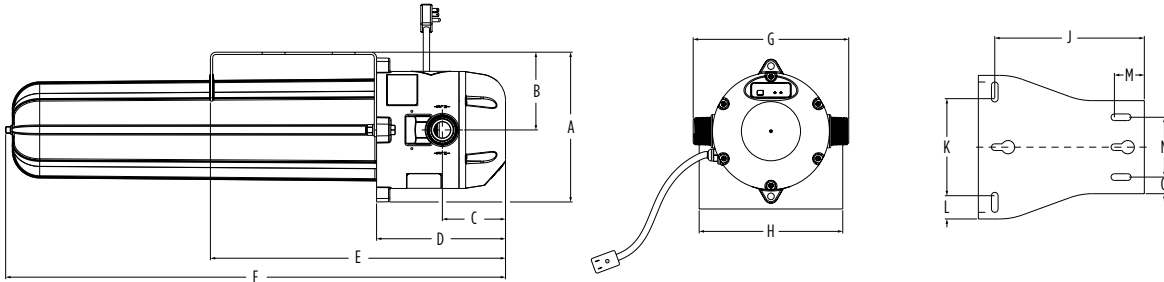


INLINE PRESSURE SOLUTIONS



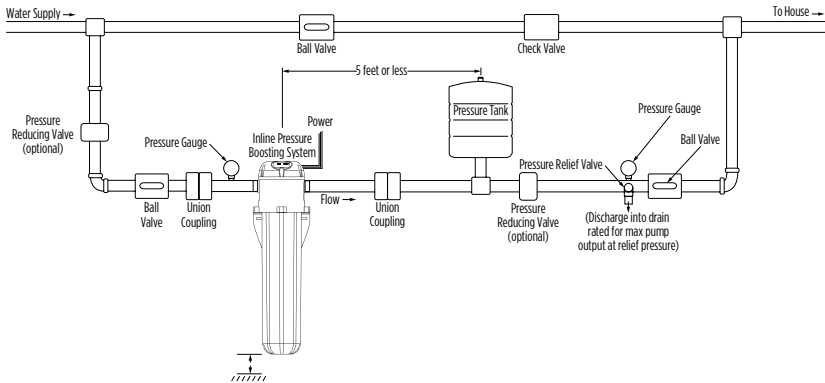
INLINE 400

ENGINEERING DATA



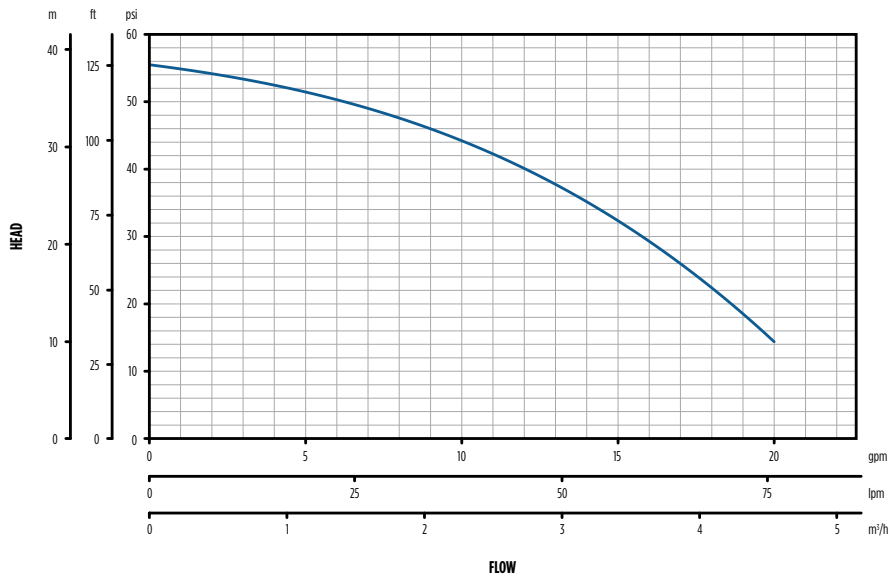
A	B	C	D	E	F	G	H	J	K	L	M	N	O
8.86"	4.6"	3.74"	7.64"	17.48"	29.61"	7.09"	8.50"	8.86"	5.75"	1.38"	1.77"	3.54"	.98"
22.5 cm	11.7 cm	9.5 cm	19.4 cm	44.4 cm	75.2 cm	18.0 cm	21.5 cm	22.5 cm	14.6 cm	3.5 cm	4.5 cm	9.0 cm	2.5 cm

TYPICAL INSTALLATION



"It is recommended (where applicable) to install the Inline 400 in PARALLEL with the incoming water supply. This will allow for a "service bypass" so that the typical household can still utilize the incoming water (although at a reduced pressure) if maintenance work is required. This type of installation requires a ball valve be installed as shown above."

PERFORMANCE DATA



INLINE CONTROLS

Franklin Electric's new Inline Controls include five pump starting and control devices that pair with a variety of submersible or surface pump up to 20 amps (or approximately 3 hp) to provide or boost the system's overall water pressure – and in many cases, without the need of an additional bladder tank. Depending on application requirements and selected model, the product family offers various forms of system protection, including dry run, dead head pumping, over amperage, locked system, and over pressurization. They also offer two unique features that ensure the system remains functional and hassle free, including: a daily motor rotation start designed to energize the motor at least once every 24 hours to prevent system locking, and a unique automatic restart feature eliminating the need to manually restart the pump in the case of an unexpected trip or fault.

FEATURES BY MODEL



FLW



SWC



SWP



ADJ



CTL



Model Description	Flow Based Pump Activation	Run Dry Protection	Low-Pressure Backup Activation	Replaces Pressure Switch and Tank	Suction Lift	Includes Pressure Gauge	Adjustable Low-Pressure Backup Activation	Max. Pressure Regulation
Inline FLW	✓	✓		✓				
InlineSWC	✓	✓	✓	✓	✓			
InlineSWP	✓	✓	✓	✓	✓			
InlineADJ 115 V	✓	✓	✓	✓	✓	✓	✓	
InlineADJ 230 V	✓	✓	✓	✓	✓	✓	✓	
InlineCTL	✓	✓	✓	✓	✓	✓		✓

NOTE: Proper pump selection is essential for use with the Inline FLW, SWC, SWP, and ADJ as pump shut-off pressure will be realized within the system prior to shut down. If the pump size can not be reduced, select the Inline CTL with built-in pressure reducing valve.

TECHNICAL SPECIFICATIONS

Model Description	Motor Size		Voltage	Max. Current	Max. Temp.	Min. Flow (GPM)	Thread Size
InlineFLW	up to 1.5 hp	up to 1.1 kW	115/230	15 A	150 °F	0.15	1" MNPT
InlineSWC	up to 2 hp	up to 1.5 kW	115/230	16 A	150 °F	0.25	1" MNPT
InlineSWP	up to 3 hp	up to 2.2 kW	115/230	20 A	150 °F	0.25	1 ¼" MNPT
InlineADJ 115 V	up to 0.75 hp	up to 0.55 kW	115	16 A	150 °F	0.25	1" MNPT
InlineADJ 230 V	up to 2 hp	up to 1.5 kW	230	16 A	150 °F	0.25	1" MNPT
InlineCTL	up to 3 hp	up to 2.2 kW	115/230	20 A	150 °F	0.25	1 ¼" MNPT

INLINE CONTROLS - FLW

Use with a pressurized water supply such as an elevated tank or a municipal/utility source. The Inline Control FLW is a smart flow activated pump start control, designed for use in conjunction with a pump where starting and stopping the system based on water usage is desired.

FEATURES

- With flow of 0.15 gpm or greater the pump is activated to ensure continuous operation during water demand cycles
- Can be wired for 115 V or 230 V with no internal settings or wiring changes required
- Protects pump from conditions of dry run and pumping against a closed discharge (dead-head) by powering off the system when water flow stops
- If the pump remains idle for 24 consecutive hours, the device will carry out an autorun feature to keep the system free of debris and clogs
- Replaces the need for an external pressure tank and differential pressure switch

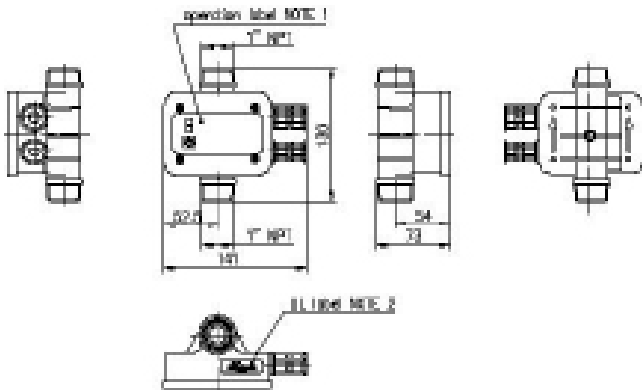


Model Description	Flow Based Pump Activation	Run Dry Protection	Low-Pressure Backup Activation	Replaces Pressure Switch and Tank	Suction Lift	Includes Pressure Gauge	Adjustable Low-Pressure Backup Activation	Max. Pressure Regulation
Inline FLW	✓	✓		✓				

NOTE: Proper pump selection is essential for use with the Inline FLW as pump shut-off pressure will be realized within the system prior to shut down. If the pump size cannot be reduced to a lower output performance within the systems pressure limits, select the Inline CTL with built-in pressure reducing valve.

ORDERING INFORMATION

Model Description	Order No.	Model No.	Motor Size		Voltage	Max. Current	Max. Temp.	Thread Size
InlineFLW	91987102	FIL-FLW15	0.75-1.5 hp	(0.55-1.1 kW)	115/230	15 A	150 °F	1" MNPT



INLINE CONTROLS - SWC & SWP

Use with a pressurized water supply or suction lift installation for municipal and well supply sources. The Inline Control SWC and SWP are flow activated smart pump start controls, designed for use in conjunction with a pump where starting and stopping the system based on water usage is desired.

FEATURES

- With flow of 0.25 gpm or greater the pump is activated to ensure continuous operation during water demand cycles
- When flow is less than 0.25 gpm, the pump starts at a minimum pressure of 22 psi
- If the pump starts due to low system pressure, with no additional demand, the Inline SWC and SWP will only run the system to rebuild pressure
- Can be wired for 115 V or 230 V with no internal settings or wiring changes required
- Includes a convenient built-in check valve
- Protects pump from conditions of dry run, overcurrent, and pumping against a closed discharge (dead-head) by powering off the system when water flow stops
- If the pump remains idle for 24 consecutive hours, the device will carry out an autorun feature to keep the system free of debris and clogs
- The system will auto-rest up to 10 times in a 24 hour period if no water is detected, to protect the pump
- Replaces the need for an external pressure tank and differential pressure switch



SWC

SWP

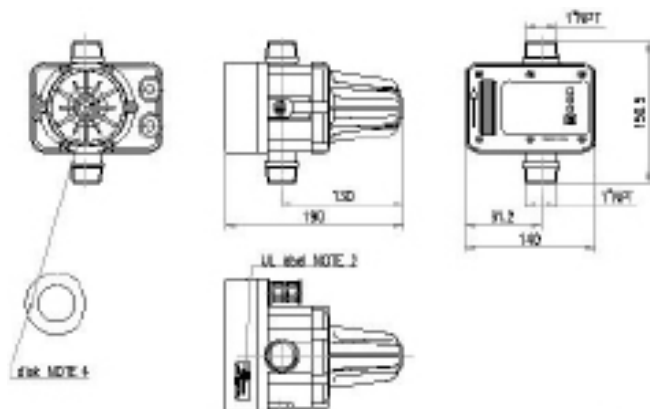
Model Description	Flow Based Pump Activation	Run Dry Protection	Low Pressure Backup Activation	Replaces Pressure Switch and Tank	Suction Lift	Includes Pressure Gauge	Adjustable Low-Pressure Backup Activation	Max. Pressure Regulation
InlineSWC	✓	✓	✓	✓	✓			
InlineSWP	✓	✓	✓	✓	✓			

NOTE: Proper pump selection is essential for use with the Inline SWC and SWP as pump shut-off pressure will be realized within the system prior to stopping the pump. If the pump size cannot be reduced to a lower output performance within the systems pressure limits, select the Inline CTL with built-in pressure reducing valve.

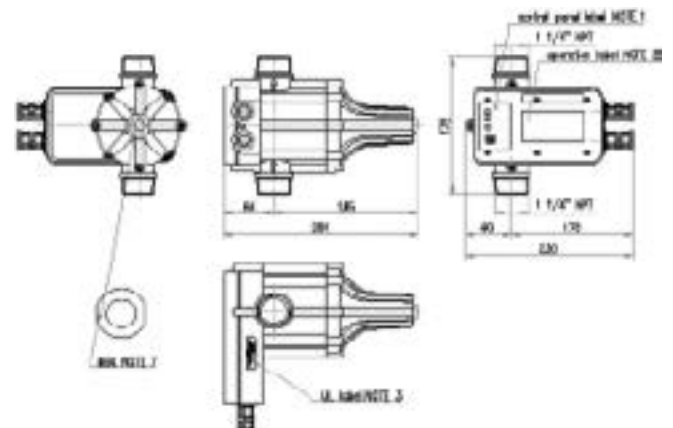
ORDERING INFORMATION

Model Description	Order No.	Model No.	Motor Size		Voltage	Max. Current	Max. Temp.	Thread Size
InlineSWC	91987103	FIL-SWC16	0.75-2 hp	(0.55-1.5 kW)	115/230	16 A	150 °F	1" MNPT
InlineSWP	91987104	FIL-SWP20	1-3 hp	(0.75-2.2 kW)	115/230	20 A	150 °F	1 1/4" MNPT

FIL-SWC16



FIL-SWP20



INLINE CONTROLS - ADJ

Use with a pressurized water supply or suction lift installation for municipal and well supply sources. The Inline Control ADJ is a smart flow activated pump start control, designed for use in conjunction with a pump where starting and stopping the system based on water usage is desired. With water flow being the primary system start command, the unit provides a backup low pressure cut-in point where the pump will start to repressurize the system. The InlineADJ allows this low pressure cut to be adjusted to 22, 29, or 36 PSI to ensure the system will still reach the desired shut-off pressure.

FEATURES

- With flow of 0.25 gpm or greater the pump is activated to ensure continuous operation during water demand cycles
- When flow is less than 0.25 gpm, the user may select between three adjustable cut-in points for a minimum system pressure of 22, 29, or 36 psi
- If the pump starts due to low system pressure, with no additional demand, the Inline ADJ will only run the system to rebuild pressure
- Separate models for 115 V or 230 V with no internal settings or wiring changes required
- Includes a convenient built-in check valve
- Protects pump from conditions of dry run, overcurrent, and pumping against a closed discharge (dead-head) by powering off the system when water flow stops
- If the pump remains idle for 24 consecutive hours, the device will carry out an autorun feature to keep the system free of debris and clogs.
- The system will auto-rest up to 10 times in a 24 hour period if no water is detected, to protect the pump
- Replaces the need for an external pressure tank and differential pressure switch



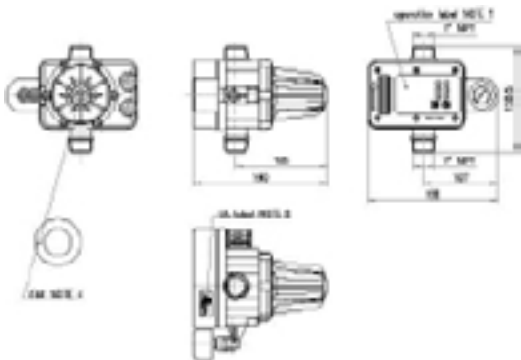
Model Description	Flow Based Pump Activation	Run Dry Protection	Low-Pressure Backup Activation	Replaces Pressure Switch and Tank	Suction Lift	Includes Pressure Gauge	Adjustable Low-Pressure Backup Activation	Max. Pressure Regulation
InlineADJ 115 V	✓	✓	✓	✓	✓	✓	✓	
InlineADJ 230 V	✓	✓	✓	✓	✓	✓	✓	

NOTE: Proper pump selection is essential for use with the Inline ADJ as pump shut-off pressure will be realized within the system prior to shut down. If the pump size cannot be reduced to a lower output performance within the systems pressure limits, select the Inline CTL with built-in pressure reducing valve.

ORDERING INFORMATION

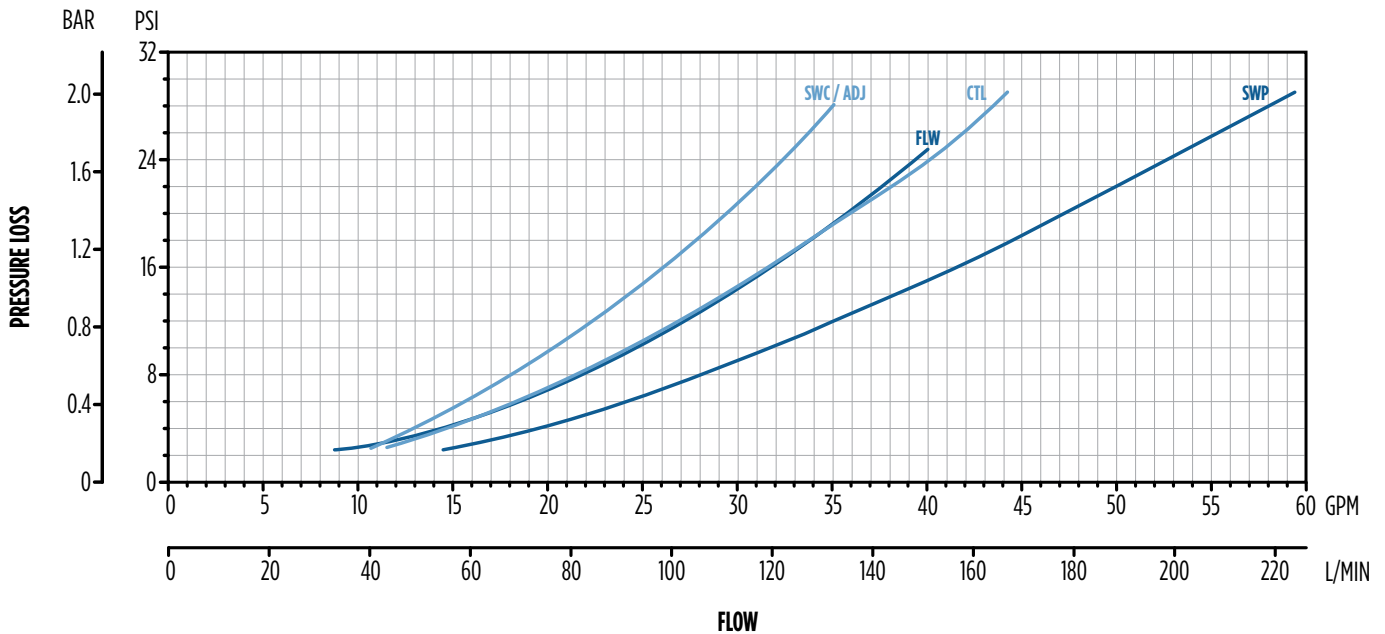
Model Description	Order No.	Model No.	Motor Size	Voltage	Max. Current	Max. Temp.	Thread Size
InlineADJ 115 V	91987105	FIL-ADJ16-1G	0.75 hp (0.55 kW)	115	16 A	150 °F	1" MNPT
InlineADJ 230 V	91987106	FIL-ADJ16-2G	2 hp (1.5 kW)	230	16 A	150 °F	1" MNPT

FIL-ADJ16-1G and FIL-ADJ16-2G



INLINE CONTROLS

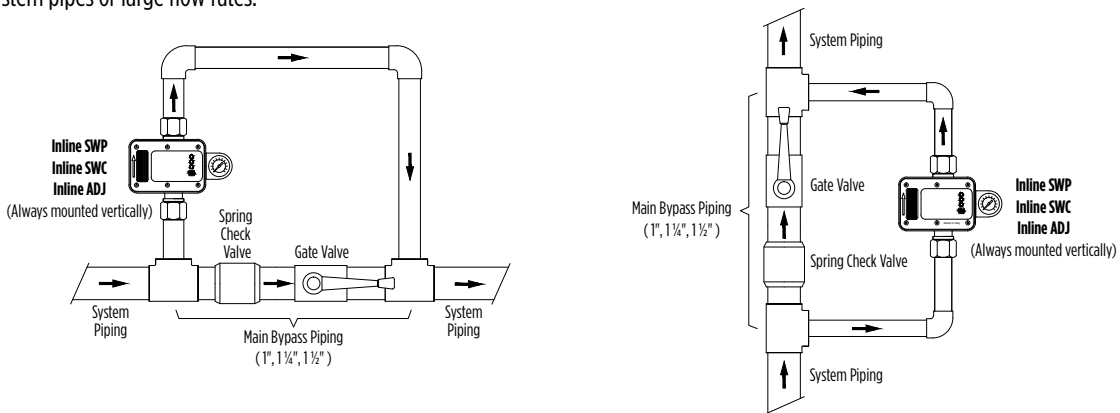
FRICITION LOSS



INLINE CONTROLS - SWP, SWC, ADJ

OPTIONAL BYPASS INSTALLATION

For large system pipes or large flow rates.



FRICITION LOSS W/ OPTIONAL BYPASS

Device	Flow Rate (gpm)						
	20	30	40	50	60	70	80
1" x 1"	3 psi	5 psi	9 psi	14 psi	19 psi	-	-
1" x 1 1/4"	2 psi	2 psi	3 psi	5 psi	8 psi	10 psi	12 psi
1" x 1 1/2"	2 psi	2 psi	3 psi	4 psi	6 psi	7 psi	8 psi

The main bypass piping must not exceed 1 1/2", while the system piping could be larger.

SHALLOW WELL JET PUMPS

APPLICATIONS

- For supplying fresh water to rural homes, farms, and cabins
- For installations where the vertical distance from the pump to the pumping water level does not exceed 25 feet (7.6 m)

FEATURES

- Cast iron casing and seal plate for durability and long life
- Higher than standard NEMA service factor dual compartment motor
- Dual voltage 115/230 V
- Pressure switch preset at 30/50 psi
- 1-1/4" (31.7 mm) suction, 1" NPT (25.4 mm) discharge
- Pressure gauge included with all models
- Stainless steel motor shaft and dual ball bearings
- Precision-engineered thermoplastic impeller, diffuser, nozzle, and venturi
- Clean-out plug to easily unclog nozzle
- Fully serviceable with two-year warranty

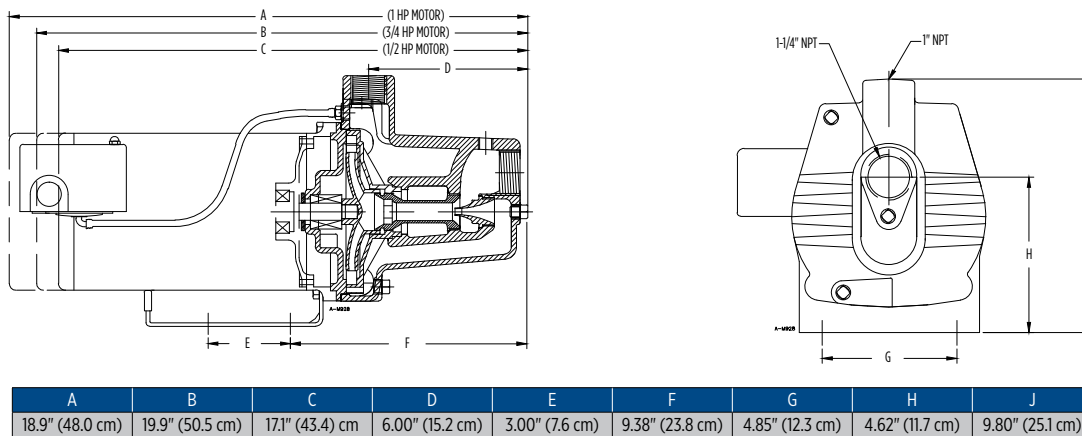


SERIES SPECIFICATIONS

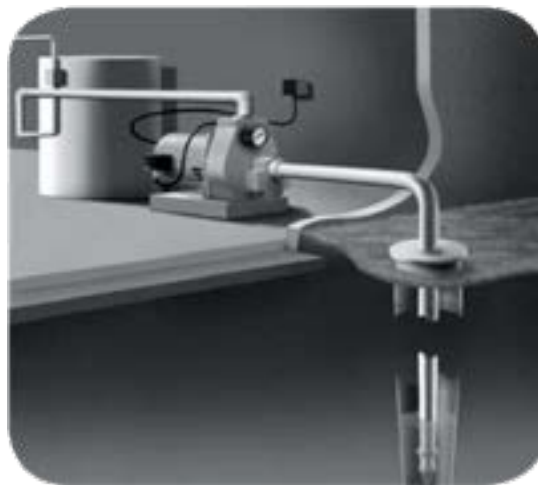
Item No.	Model	HP	Total Suction Lift (ft/m)	Pump Capacity GPM (LPM) Discharge Pressure in PSI										Max. Pressure in PSI (kg/cm ²)
				20	25	30	35	40	45	50	55	60		
558279	JPH-50-C	1/2	5 (1.5)	8.8 (33.3)	8.9 (33.7)	8.6 (32.5)	8.4 (31.8)	8.3 (31.4)	8.1 (30.3)	7.4 (28.0)	6.0 (22.7)	4.7 (17.8)	80.6 (5.7)	
			10 (3.1)	7.8 (29.5)	7.7 (29.1)	7.5 (28.6)	7.4 (28.0)	7.2 (27.4)	7.2 (27.3)	6.6 (25.0)	5.4 (20.4)	4.1 (15.7)	78.5 (5.5)	
			15 (4.6)	6.5 (24.6)	6.4 (24.2)	6.3 (23.8)	6.2 (23.5)	6.1 (23.1)	6.0 (22.7)	5.3 (20.1)	4.8 (18.2)	3.6 (13.6)	76.3 (5.4)	
			20 (6.1)	5.3 (20.1)	5.2 (19.7)	5.1 (19.3)	4.9 (18.5)	4.8 (18.2)	4.7 (17.8)	4.6 (17.4)	4.1 (15.5)	2.9 (11.0)	74.1 (5.2)	
			25 (7.6)	3.7 (14.0)	3.6 (13.8)	3.6 (13.6)	3.5 (13.4)	3.5 (13.2)	3.5 (13.2)	3.4 (13.1)	2.4 (9.1)	2.3 (8.7)	71.9 (5.1)	
558274	JP-050-C	1/2	5 (1.5)	12.8 (48.5)	12.5 (47.3)	12.3 (46.6)	12.1 (45.8)	11.2 (42.4)	9.5 (36.0)	6.9 (26.1)	4.3 (16.3)	2.0 (7.6)	64.2 (4.5)	
			10 (3.1)	11.5 (43.5)	11.3 (42.8)	11.0 (41.6)	10.8 (40.9)	10.4 (39.4)	8.5 (32.2)	6.0 (22.7)	3.4 (12.9)	1.0 (3.8)	62.0 (4.4)	
			15 (4.6)	9.8 (37.1)	9.7 (36.7)	9.6 (36.4)	9.5 (36.0)	9.4 (35.6)	7.3 (27.7)	4.7 (17.8)	2.2 (8.3)	-	59.9 (4.2)	
			20 (6.1)	8.3 (31.4)	8.1 (30.7)	7.8 (29.5)	7.7 (29.2)	7.6 (28.8)	5.7 (21.6)	3.5 (13.3)	1.0 (3.8)	-	57.7 (4.1)	
			25 (7.6)	5.6 (21.2)	5.5 (20.8)	5.5 (20.8)	5.4 (20.5)	5.3 (20.1)	4.1 (15.5)	2.3 (8.7)	0.2 (.8)	-	55.5 (3.9)	
558275	JP-075-C	3/4	5 (1.5)	16.2 (61.3)	16.0 (60.6)	15.8 (59.8)	15.6 (59.1)	15.4 (58.3)	12.1 (45.8)	8.7 (33.0)	5.7 (21.6)	2.9 (11.0)	65.0 (4.6)	
			10 (3.1)	14.3 (54.1)	14.0 (53)	13.7 (51.9)	13.5 (51.1)	13.2 (50.0)	10.6 (40.1)	7.6 (28.8)	4.6 (17.4)	1.6 (6.1)	62.8 (4.4)	
			15 (4.6)	12.1 (45.8)	11.7 (44.3)	11.3 (42.8)	11.0 (41.7)	10.6 (40.1)	9.3 (35.2)	6.3 (23.9)	3.2 (12.1)	0.2 (8.0)	60.6 (4.3)	
			20 (6.1)	9.9 (37.5)	9.6 (36.3)	9.3 (35.2)	9.0 (34.1)	8.7 (33.0)	7.8 (29.5)	4.8 (18.2)	1.9 (7.2)	-	58.5 (4.1)	
			25 (7.6)	7.2 (27.3)	7.1 (26.9)	7.0 (26.5)	6.9 (26.1)	6.8 (25.8)	6.7 (25.4)	3.5 (13.3)	0.6 (2.3)	-	56.3 (4.0)	
558276	JP-100-C	1	5 (1.5)	24.8 (93.9)	24.7 (93.5)	23.2 (87.8)	19.8 (75.0)	16.5 (62.5)	13.1 (49.6)	9.5 (36.0)	6.3 (23.9)	3.4 (12.9)	66.2 (4.7)	
			10 (3.1)	21.5 (81.4)	21.2 (80.3)	20.1 (76.1)	18.4 (69.7)	15.2 (57.6)	11.5 (43.6)	7.9 (29.9)	4.9 (18.6)	2.4 (9.1)	64.2 (4.5)	
			15 (4.6)	18.1 (68.5)	17.8 (67.7)	17.4 (65.9)	16.7 (63.2)	13.8 (52.2)	10.3 (39.0)	6.9 (26.1)	4.0 (15.1)	1.3 (4.9)	62.1 (4.4)	
			20 (6.1)	14.4 (54.5)	14.3 (54.2)	14.2 (53.8)	14.6 (55.3)	12.3 (46.7)	9 (34.1)	5.3 (20.1)	2.3 (8.7)	0.2 (.60)	60.1 (4.2)	
			25 (7.6)	10.5 (39.8)	10.5 (39.8)	10.4 (39.4)	10.3 (39.0)	8.8 (33.3)	7 (26.5)	4.2 (15.9)	1.3 (4.9)	-	57.2 (4.0)	

SHALLOW WELL JET PUMPS

ENGINEERING DATA



TYPICAL INSTALLATION



SHALLOW WELL JET PUMP SYSTEMS

APPLICATIONS

- For supplying fresh water to rural homes, farms, and cabins
- For installations where the vertical distance from the pump to the pumping water level does not exceed 25 feet (7.6 m)

FEATURES

- Cast iron casing and seal plate for durability and long life
- Higher than standard NEMA service factor dual compartment motor
- Dual voltage 115/230 V
- Pressure switch preset at 30/50 psi
- 1-1/4" (31.7 mm) suction, 1" NPT (25.4 mm) discharge
- Pressure gauge included with all models
- Heavy duty steel constructed tank installations
- Tank's butyl rubber diaphragm system isolates the air charge from system water
- Fully serviceable with two-year warranty
- Condensation-reducing design



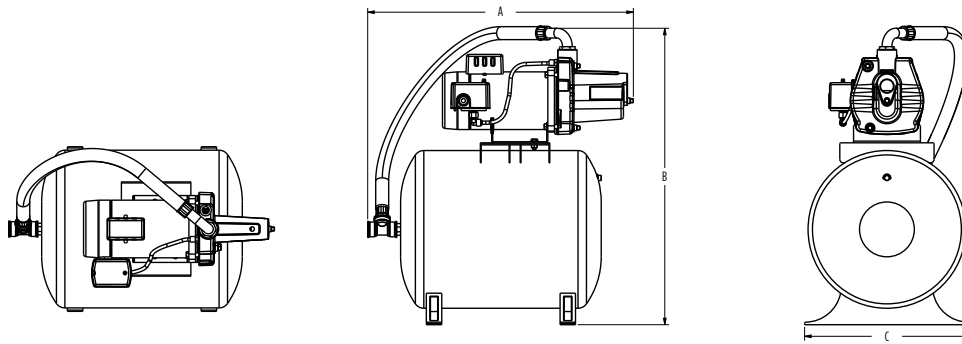
SERIES SPECIFICATIONS

Item No.	Model	HP	Tank (gal./ltr)	Type	Fixtures
558277	JP-050-C/T9H	1/2	8.5 (32.2)	Inline	-
558278	JP-050-C/T14H	1/2	14 (53.0)	Horizontal	4

HP	Total Suction Lift (ft/m)	Pump Capacity GPM (LPM) Discharge Pressure in PSI										Max. Pressure in PSI (kg/cm ²)
		20	25	30	35	40	45	50	55	60		
1/2	5 (1.5)	12.8 (48.5)	12.5 (47.3)	12.3 (46.6)	12.1 (45.8)	11.2 (42.4)	9.5 (36)	6.9 (26.1)	4.3 (16.3)	2 (7.6)	64.2 (4.5)	
	10 (3.1)	11.5 (43.5)	11.3 (42.8)	11.0 (41.6)	10.8 (40.9)	10.4 (39.4)	8.5 (32.2)	6.0 (22.7)	3.4 (12.9)	1 (3.8)	62 (4.4)	
	15 (4.6)	9.8 (37.1)	9.7 (36.7)	9.6 (36.4)	9.5 (36)	9.4 (35.6)	7.3 (27.7)	4.7 (17.8)	2.2 (8.3)	-	59.9 (4.2)	
	20 (6.1)	8.3 (31.4)	8.1 (30.7)	7.8 (29.5)	7.7 (29.2)	7.6 (28.8)	5.7 (21.6)	3.5 (13.3)	1.0 (3.8)	-	57.7 (4.1)	
	25 (7.6)	5.6 (21.2)	5.5 (20.8)	5.5 (20.8)	5.4 (20.5)	5.3 (20.1)	4.1 (15.5)	2.3 (8.7)	0.2 (.8)	-	55.5 (3.9)	

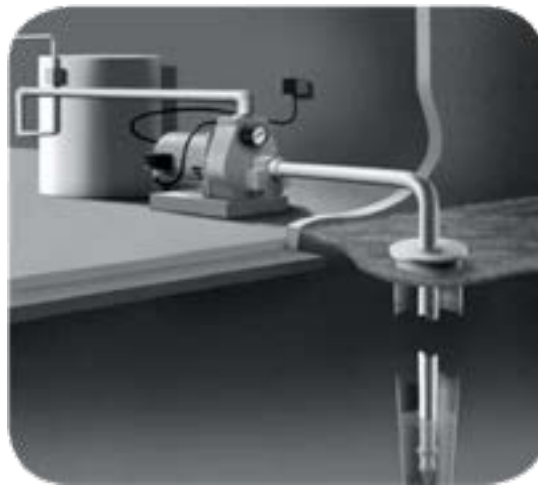
SHALLOW WELL JET PUMP SYSTEMS

ENGINEERING DATA



Item No.	Model	A	B	C
558277	JP-050-C/T9H	24.75 (62.7 cm)	25.5 (64.8 cm)	12.63 (32.06 cm)
558278	JP-050-C/T14H	23 (58.42 cm)	28 (71.12 cm)	15.25 (38.74 cm)

TYPICAL INSTALLATION



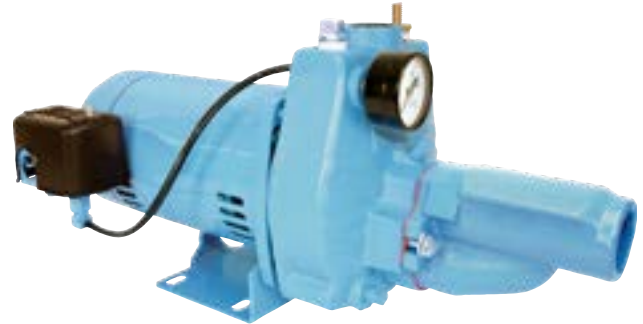
CONVERTIBLE JET PUMPS

APPLICATIONS

- For supplying fresh water to rural homes, farms, and cabins
- For installations where the vertical distance from the pump to the pumping water level does not exceed 90 feet (27.4 m)

FEATURES

- Cast iron casing and seal plate for durability and long life
- Higher than standard NEMA service factor dual compartment motor
- Dual voltage 115/230 V
- Pressure switch preset at 30/50 psi
- 1-1/4" (31.7 mm) suction,
- 1" NPT (25.4 mm) discharge
- Brass flow control valve included
- Pressure gauge included with all models
- Stainless steel motor shaft and dual ball bearings
- Precision-engineered thermoplastic impeller, diffuser, nozzle, and venturi
- Injector kit included for both shallow and deep well installations
- Fully serviceable with two-year warranty



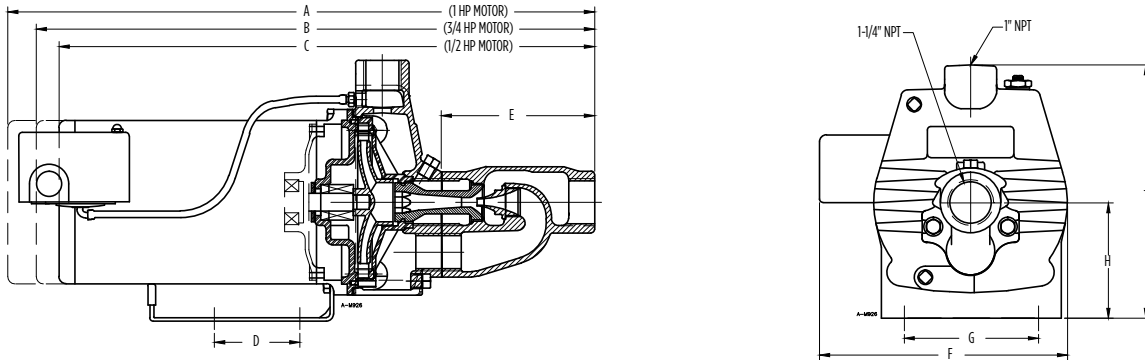
SERIES SPECIFICATIONS

Item No.	Model	HP		Total Suction Lift (ft/m)	Pump Capacity GPM (LPM) Discharge Pressure in PSI								Max. Pressure in PSI (kg/cm ²)	
					20	25	30	35	40	45	50	55		60
558281	JPC-050-C	1/2	Shallow	5 (1.5)	11.1 (42.0)	11 (41.6)	10.9 (41.3)	10.8 (40.9)	10.7 (40.5)	9.2 (34.8)	7.4 (28.1)	4.5 (17.1)	76.2 (5.3)	
				15 (4.6)	8.1 (31.7)	8.0 (30.3)	7.9 (29.9)	7.8 (29.5)	7.7 (29.2)	7.3 (27.7)	5.9 (22.4)	4.4 (16.7)	3.1 (11.8)	71.7 (5.1)
				25 (7.6)	4.8 (18.2)	4.8 (18.2)	4.7 (17.8)	4.7 (17.8)	4.6 (17.4)	4.5 (17.1)	4.4 (16.7)	3.2 (12.1)	1.9 (7.2)	67.5 (4.8)
			Deep	20 (6.1)	-	10.7 (3.3)	9.2 (2.8)	7.8 (2.4)	6.5 (2.0)	5.4 (1.7)	4.5 (1.4)	3.6 (1.1)	2.9 (0.90)	85 (5.8)
				50 (15.3)	-	6.8 (2.1)	5.8 (1.8)	4.8 (1.5)	4.0 (1.2)	3.2 (1.0)	2.4 (.08)	1.8 (.60)	1.3 (.40)	72 (5.1)
				80 (24.4)	-	4.1 (1.3)	3.4 (1.1)	2.8 (.85)	2.2 (.07)	1.6 (.49)	1 (.30)	0.4 (.01)	-	59 (4.2)
558282	JPC-075-C	3/4	Shallow	5 (1.5)	18.2 (69)	17.9 (67.8)	17.7 (67.0)	16.6 (62.8)	14.3 (54.2)	12.0 (45.4)	9.7 (36.7)	7.4 (28)	5.1 (18.9)	71 (5.0)
				15 (4.6)	12.7 (48.1)	12.5 (47.3)	12.4 (47.0)	12.2 (46.2)	12.0 (45.5)	9.9 (37.5)	7.5 (28.4)	5.3 (20.1)	3.0 (11.4)	66.7 (4.7)
				25 (7.6)	7.7 (29.2)	7.5 (28.1)	7.4 (28.0)	7.1 (26.9)	6.9 (26.1)	6.7 (25.4)	5.0 (18.9)	3.0 (11.4)	1.0 (3.8)	62.4 (4.4)
			Deep	20 (6.1)	-	11.5 (43.6)	9.8 (37.1)	7.6 (28.8)	6.8 (25.8)	5.7 (21.6)	4.7 (17.8)	3.8 (14.4)	3.0 (11.4)	86 (6.1)
				50 (15.3)	-	7.4 (28.0)	6.1 (23.1)	5.1 (19.3)	4.1 (15.5)	3.3 (12.5)	2.5 (9.5)	1.9 (7.2)	1.3 (5.0)	73 (5.13)
				90 (27.5)	-	4.5 (17.1)	3.5 (13.3)	2.8 (10.6)	2.1 (8.0)	1.5 (5.7)	1.0 (3.8)	.50 (1.9)	-	60 (4.2)
558283	JPC-100-C	1	Shallow	5 (1.5)	20.2 (76.4)	20.1 (76.1)	19.9 (75.3)	19.5 (73.8)	16.7 (63.2)	13.9 (52.6)	11.1 (42.0)	8.3 (31.4)	5.6 (21.2)	71.0 (5.0)
				15 (4.6)	14.5 (54.8)	14.3 (54.2)	14.1 (53.4)	13.8 (52.3)	13.6 (51.5)	11.4 (43.2)	8.7 (33)	6.0 (22.7)	3.3 (12.5)	66.7 (4.7)
				25 (7.6)	9.1 (34.5)	8.9 (33.7)	8.8 (33.3)	8.7 (33.0)	8.6 (32.6)	8.5 (32.2)	6.0 (22.7)	3.6 (13.6)	1.2 (4.6)	62.4 (4.4)
			Deep	20 (6.1)	-	12.8 (48.5)	10.5 (39.8)	8.7 (33.0)	7.3 (27.7)	6.6 (25.0)	5.2 (19.7)	4.4 (16.7)	3.6 (13.6)	87.0 (6.1)
				50 (15.3)	-	8.4 (31.8)	7.2 (27.3)	6.0 (22.7)	5.0 (18.9)	4.2 (15.9)	3.4 (12.9)	2.6 (9.9)	1.9 (7.2)	74.0 (5.2)
				90 (27.5)	-	4.3 (16.3)	3.4 (12.9)	2.7 (10.2)	1.9 (7.2)	1.8 (6.8)	.7 (2.7)	-	-	56.7 (4.0)

Item No.	Model	Description
305446946	1/2 Injector Kit	Injector Kit for JPC-050-C
305446947	3/4 & 1 Injector Kit	Injector Kit for JPC-075-C/JPC-100-C

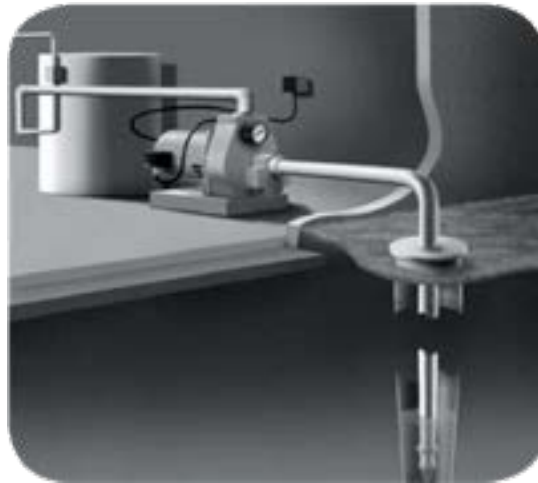
CONVERTIBLE JET PUMPS

ENGINEERING DATA



A	B	C	D	E	F	G	H	J
20.58" (52.2 cm)	19.58" (49.7 cm)	18.78" (47.7 cm)	3.00" (7.6 cm)	5.38" (13.6 cm)	9.00" (22.8 cm)	4.85" (12.3 cm)	4.17" (10.5 cm)	10.00" (25.4 cm)

TYPICAL INSTALLATION



CONVERTIBLE JET PUMP SYSTEMS

APPLICATIONS

- For supplying pressurized fresh water to rural homes, farms, and cabins
- For use where the vertical distance from the water supply does not exceed 90 feet (27.4 m)
- Injector can be attached to the pump casing for shallow well performance

FEATURES

- Cast iron casing and seal plate for durability and long life
- Higher than standard NEMA service factor dual compartment motors
- Square D pressure switch preset at 30/50 psi
- 1-1/4" (31.7 mm) suction and brass flow control valve
- Pressure gauge included with all models
- Heavy duty steel constructed tank
- Welded malleable water connection, will not break during installations
- Tank's butyl rubber diaphragm system isolates the air charge from system water
- Fully serviceable with two-year warranty
- Condensation-reducing design

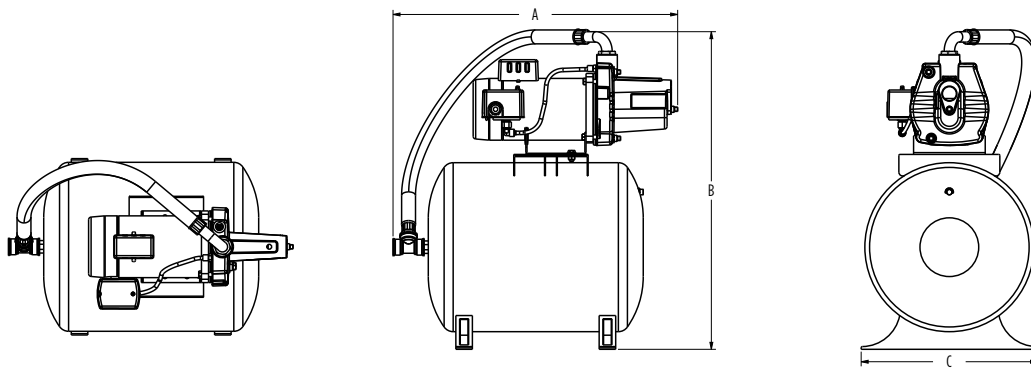


SERIES SPECIFICATIONS

Item No.	Model	HP	Tank (gal/ltr)	Length	Width	Height	Ship Wt.
558287	JP-050-CT9H	1/2	8.5 (32.2)	25" (63.5 cm)	13" (33.0 cm)	29" (73.6 cm)	57 (25.9 Kg)

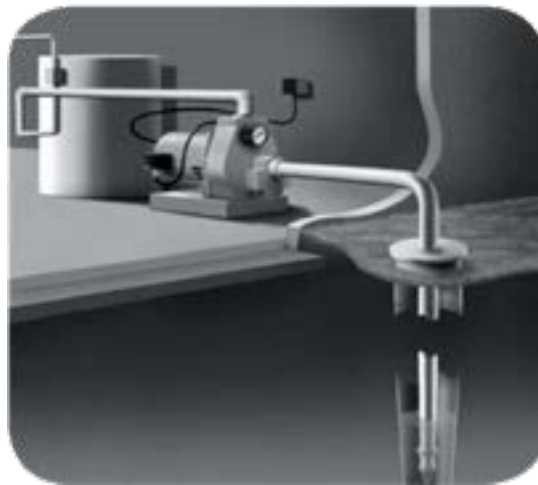
CONVERTIBLE JET PUMP SYSTEMS

ENGINEERING DATA



Item No.	Model	A	B	C
558287	JP-050-C/T9H	24.75 (62.7 cm)	24.75 (62.7 cm)	12.62 (32.05 cm)

TYPICAL INSTALLATION



UTILITY JET PUMPS

APPLICATIONS

- For pressure boosting, small underground lawn sprinklers, and a multitude of other general purpose clean water applications

FEATURES

- Cast iron casing and seal plate ensures durability and long life
- Higher than standard NEMA service factor dual compartment motors; single-phase, square flange design with threaded motor shaft
- 3600 rpm, open drip proof motor with capacitor start and thermal overload protection
- Precision-engineered glass filled thermoplastic impeller
- Includes garden hose adapter, venturi, and built-in nozzle
- 8 ft grounded power cord
- Fully serviceable with two-year warranty

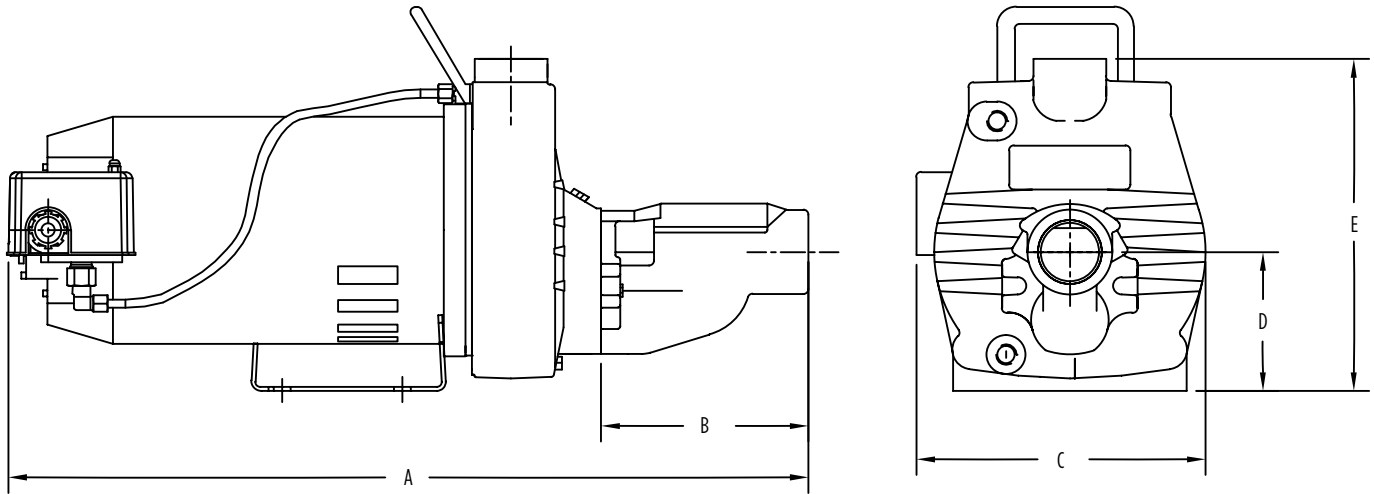


SERIES SPECIFICATIONS

Item No.	Model	HP	Total Suction Lift (ft/m)	Pump Capacity GPM (LPM) Discharge Pressure in PSI								Shut-Off Head ft (m)	
				20	25	30	35	40	45	50	55		60
558280	JPU-50-C	1/2	5 (1.5)	12.8 (48.5)	12.5 (47.3)	12.3 (46.6)	12.1 (45.8)	11.2 (42.4)	9.5 (36)	6.9 (26.1)	4.3 (16.3)	2.0 (7.6)	64.2 (19.6)
			10 (3.1)	11.5 (43.5)	11.3 (42.8)	11.0 (41.6)	10.8 (44.9)	10.4 (39.4)	8.5 (32.2)	6.0 (22.7)	3.4 (12.9)	1.0 (3.8)	62.0 (18.9)
			15 (4.6)	9.8 (37.1)	9.7 (36.7)	9.6 (36.3)	9.5 (36.0)	9.4 (35.6)	7.3 (27.6)	4.7 (17.8)	2.2 (8.3)	-	59.9 (18.3)
			20 (6.1)	8.3 (31.4)	8.1 (30.7)	7.8 (29.5)	7.7 (29.1)	7.6 (28.8)	5.7 (21.6)	3.5 (13.2)	1.0 (3.8)	-	57.7 (17.6)
			25 (7.6)	5.6 (21.2)	5.5 (20.8)	5.5 (20.8)	5.4 (20.4)	5.3 (20.1)	4.7 (17.8)	2.3 (8.7)	0.2 (0.8)	-	55.5 (16.9)

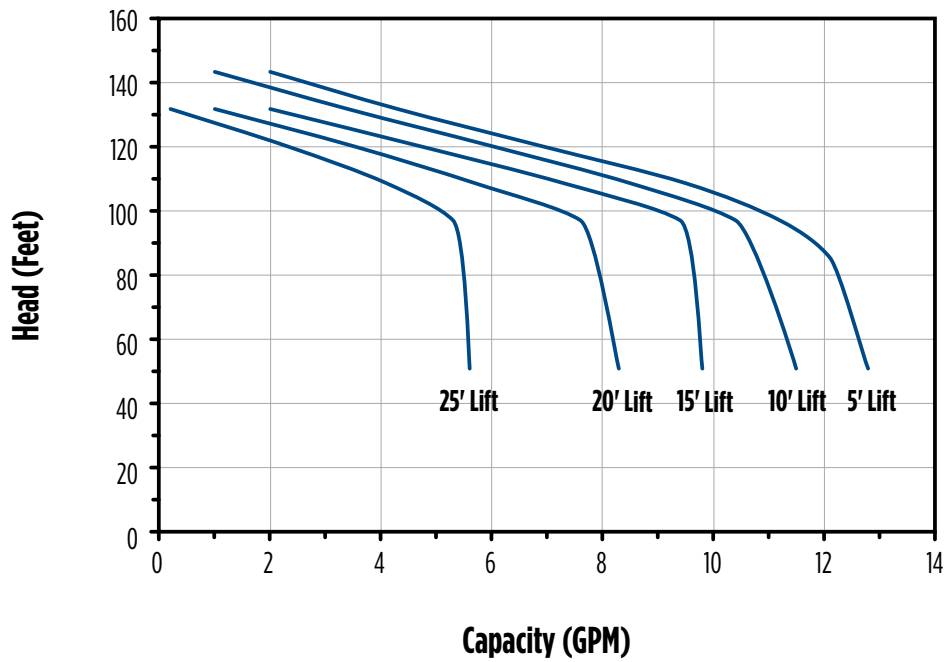
UTILITY JET PUMPS

ENGINEERING DATA



A	B	C	D	E
17.00" (43.1 cm)	5.38" (13.6 cm)	9.00" (22.8 cm)	4.30" (10.9 cm)	10.50" (26.6 cm)

PERFORMANCE DATA



LSP SERIES

APPLICATIONS

- For both residential and commercial lawn and turf sprinkler systems, irrigation, gardens, and general water transfer

FEATURES

- Self priming
- Cast iron casing and seal plate for durability and long life
- Single-phase capacitor start, 115/230 dual voltage on 3/4 hp, 1 hp and 1-1/2 hp models
- Higher than standard NEMA service factors (230 V on 2 hp model)
- Standard 5/8" rotating mechanical seal, for a reliable seal against water leakage
- 2" NPT (51 mm) suction, 1-1/2" NPT (38 mm) discharge
- Priming plug to facilitate priming
- Drain plug for easy drainage of pump
- Fully serviceable with two-year warranty
- 2 hp models use a brass impeller



SERIES SPECIFICATIONS

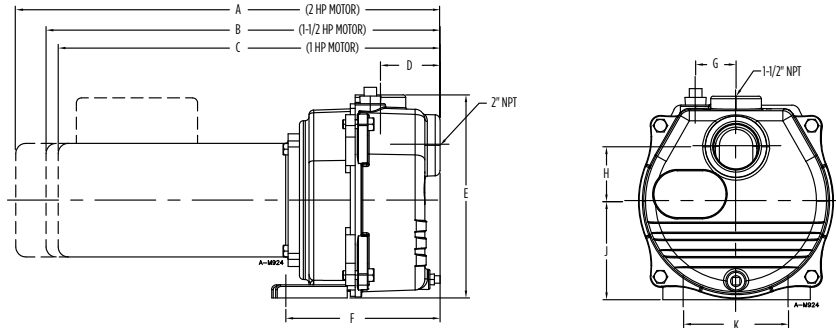
Item No.	Model	HP	Pump Capacity GPM (LPM) Discharge Pressure in PSI @ 5' (1.5 m) Lift				Max. Pressure in PSI (kg/cm ²)
			10	20	30	40	
558297	LSP-075-C	3/4	63 (238.5)	52 (196.8)	40 (151.4)	12 (45.4)	45 (3.2)
558294	LSP-100-C	1	72 (272.5)	62 (234.7)	46 (174.1)	20 (75.7)	46 (3.3)
558295	LSP-150-C	1-1/2	90 (340.7)	80 (302.9)	64 (242.3)	40 (151.4)	47 (3.3)
558296	LSP-200-C	2	97 (367.2)	90 (340.7)	74 (280.1)	47 (177.9)	48 (3.4)
558298	LSPH-200-C	2	84 (318)	81 (306.6)	73 (276.3)	58 (219.6)	57 (4.1)

LAWN SPRINKLER PUMPS

MENU

LSP SERIES

ENGINEERING DATA

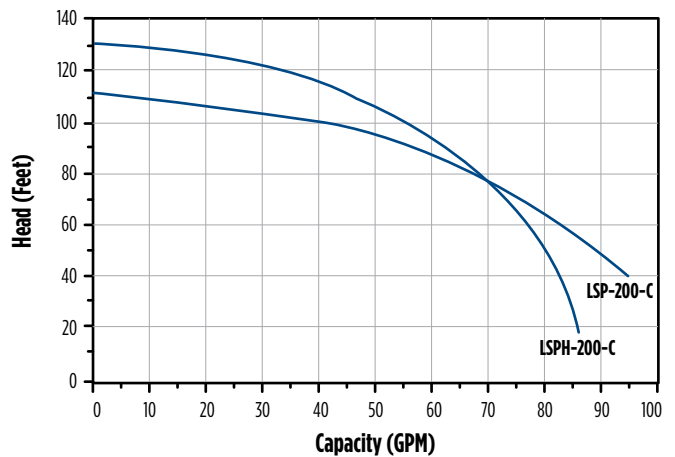
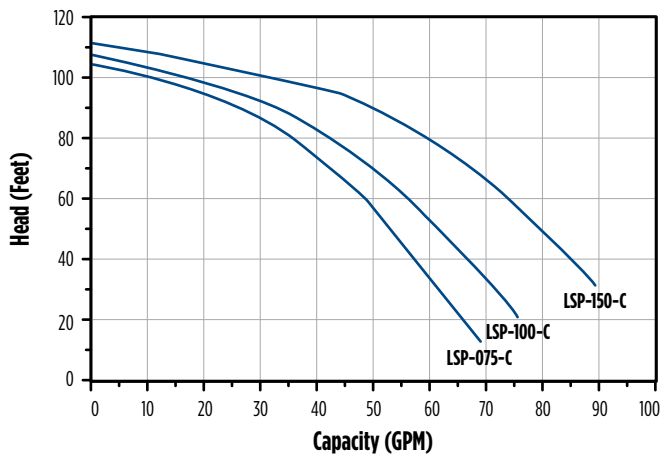


A	B	C	D	E	F	G	H	J	K
21.00" (53.3)	19.50" (49.5)	18.90" (48.0)	2.95" (7.5)	10.05" (25.5)	7.63" (19.3)	2.00" (5.1)	2.71" (6.9)	4.84" (12.3)	5.18" (13.2)

TYPICAL INSTALLATION



PERFORMANCE DATA



CP SERIES

APPLICATIONS

- For water transfer, booster, and lift applications for irrigation

FEATURES

- 115/230 V 60 Hz (2 hp is 230 V Only)
- 3600 rpm, single-phase; square flange motor
- Thermal overload protection and higher than standard NEMA service factor
- Glass-filled thermoplastic impeller for increased efficiency
- Large drain hole and shaft flinger in adapter bracket prevents moisture from damaging bearings
- Ports for air bleeding when priming and drainage to prevent frost damage
- Fully serviceable with two-year warranty



SERIES SPECIFICATIONS

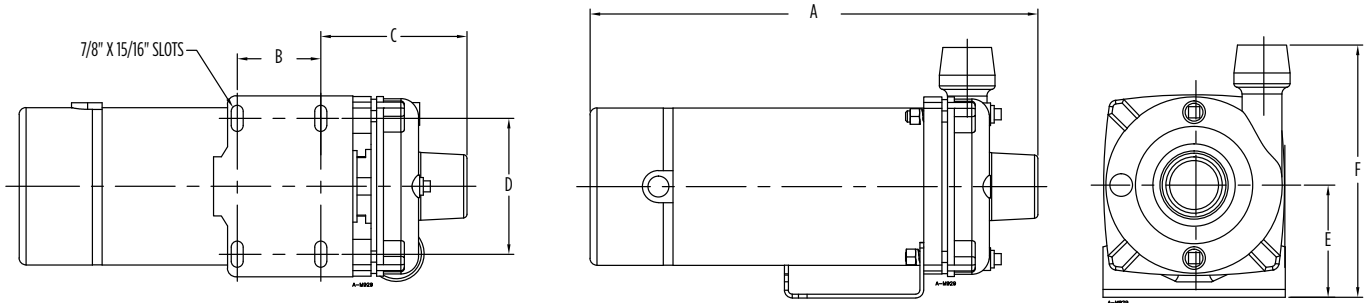
Item No.	Model	HP	Suc. x Dis. (NPT)	Total Head in Feet Capacities in U.S. GPM (LPM)								
				20	30	40	50	60	70	80	100	120
558240	CP-050-C	1/2	1-1/4" x 1"	46 (174)	38 (144)	32 (121)	24 (91)	15 (57)	-	-	-	-
558241	CP-075-C	3/4		55 (208)	52 (197)	47 (178)	38 (144)	32 (121)	25 (95)	15 (57)	-	-
558242	CP-100-C	1		60 (227)	57 (216)	54 (205)	49 (186)	44 (167)	39 (148)	32 (121)	12 (46)	-
558243	CP-150-C	1-1/2		67 (254)	65 (246)	63 (239)	59 (224)	54 (205)	49 (186)	39 (148)	24 (91)	-
558244	CP-200-C	2		104 (394)	97 (367)	92 (348)	88 (333)	81 (307)	75 (284)	66 (250)	48 (182)	15 (57)

END SUCTION PUMPS

MENU

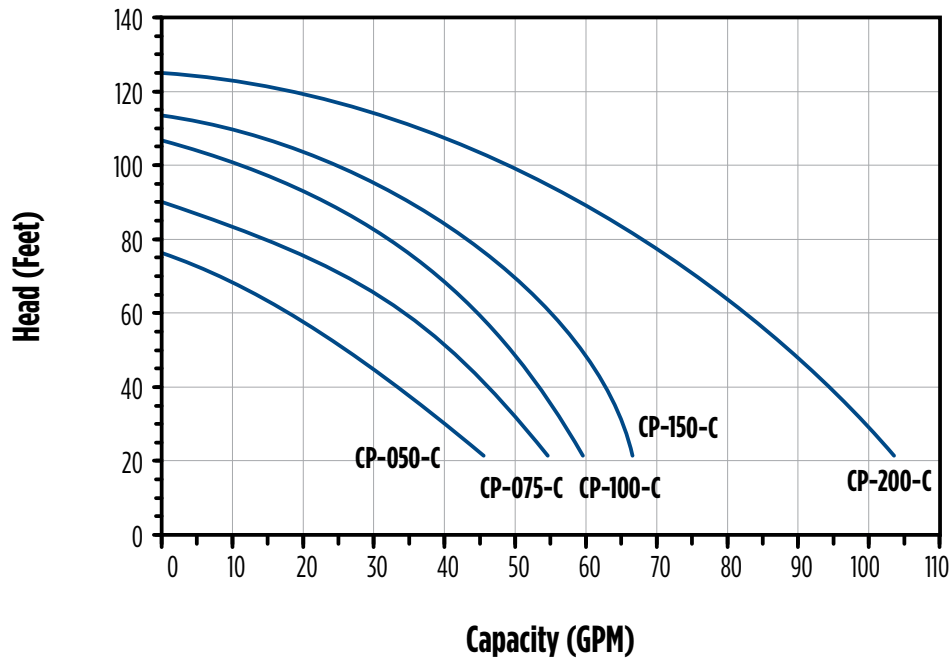
CP SERIES

ENGINEERING DATA



Model	Intake	Discharge	A	B	C	D	E	F
CP-050-C	1-1/4"	1"	13.75" (34.9 cm)	3.0" (7.6 cm)	5.53" (14.1 cm)	4.88" (12.4 cm)	4.0" (10.1 cm)	8.9" (22.6 cm)
CP-075-C	1-1/4"	1"	14.07" (35.7 cm)	3.0" (7.6 cm)	5.53" (14.1 cm)	4.88" (12.4 cm)	4.0" (10.1 cm)	8.9" (22.6 cm)
CP-100-C	1-1/4"	1"	15.57" (39.6 cm)	3.0" (7.6 cm)	5.53" (14.1 cm)	4.88" (12.4 cm)	4.0" (10.1 cm)	8.9" (22.6 cm)
CP-150-C	1-1/4"	1"	15.9" (40.7 cm)	3.0" (7.6 cm)	5.53" (14.1 cm)	4.88" (12.4 cm)	4.0" (10.1 cm)	8.9" (22.6 cm)
CP-200-C	1-1/2"	1-1/4"	15.82" (40.2 cm)	3.0" (7.6 cm)	5.88" (14.9 cm)	4.88" (12.4 cm)	4.46" (11.3 cm)	10.78" (27.4 cm)

PERFORMANCE DATA



RL SERIES

APPLICATIONS

- For well water storage
- For pressure-boosting applications in homes, mobile homes, and office buildings

FEATURES

- Vertical and horizontal tanks
- Heavy-duty steel construction
- Appliance-quality paint finish over primer coat
- Unique, patented dual water/air seal design offers superior leak protection
- Butyl rubber diaphragm system isolates the air charge from system water
- Condensation-reducing design
- Five-year warranty
- ANSI/NSF standard 61 approved



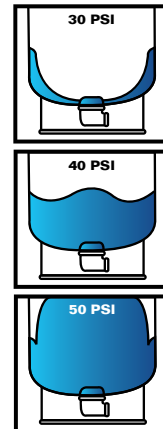
SERIES SPECIFICATIONS

Item No.	Model	Volume		Type	Fixtures	Diameter		Length or Height		Shipping Weight	
		gal	ltr			in	cm	in	cm	lbs	Kg
604452	RL2	2.1	8.0	Inline	-	8.0	20.0	12.0	30.0	5.0	2.3
604453	RL4	4.8	18.2	Inline	-	11.0	28.0	14.4	37.0	10.0	4.5
604454	RL8	8.5	32.2	Inline	-	12.0	30.0	18.8	48.0	15.4	7.0
604529	RL6H	5.3	20.0	Horizontal	1	12.5	31.8	17.3	43.8	13.3	6.0
604581	RL20H	21.1	80.0	Horizontal	7	17.0	42.0	29.0	73.0	35.8	16.2

QUICK SIZING CHART

Model	Total Tank Volume		Total Drawdown			
			30/50		40/60	
	Gallons	Liters	Gallons	Liters	Gallons	Liters
RL2	2.1	8.0	0.6	2.3	0.5	1.9
RL4	4.8	18.2	1.4	5.3	1.2	4.7
RL8	8.5	32.2	2.5	9.5	2.2	8.3
RL6H	5.3	20.0	1.6	5.9	1.4	5.2
RL16	15.9	60.2	4.9	19.0	4.1	15.5
RL20H	21.1	80.0	6.2	23.0	5.4	20.4
RL21	21.1	80.0	6.5	25.0	5.4	20.4
RL34	34.3	130.0	10.6	40.0	8.9	33.7
RL81	40.0	151.4	27.6	104.5	23.9	90.5
RL119	119.0	450.5	40.6	153.7	35.1	132.9

NOTE: Total drawdown assumes tank pre-charge set at 2 psi below cut-in pressure; drawdown can be affected by many factors, including temperature, pressure and elevation.



RL SERIES

TANK REPLACEMENT GUIDE

Flexcon				Amtrol				Misc.				
Little Giant	Challenger	Well-Rite	H2 Pro	Well-X-Trol	Wel-Flow	Champion	How 2 Tank	Goulds A.O. Smith	State Perma Tank	WellMate	Pro-Source	Standard Galvanized
RL2	PRJ6	PJR6	PJR6	WX-101	WF-6	CM1001	HT20	V6P	PIL-2	WM8L	-	5 gal
RL6H	PJR20S	PJR20S	PJR20S	WX105	N/A	N/A	N/A	N/A	N/A	WM25L	PS15-502	18 gal
RL21	PC66	WR60	WWT-20	WX-202	WF60	CM4202	HT20	V60	PAD-20	WM6	PS42T-T02	42 gal
RL34	PC122	WR120	WWT-35	WX-203	WF1100	CM8003	HT32	V100	WM9	WM9	PS82T-T05	82 gal
RL40	PC144	WR140	WWT-45	WX-250	WF140	CM10050	HT44	V140	WM14	WM14	PS120-T50	82 gal
RL62	PC211	WR200	WWT-65	WX-251	WF200	CM12051	HT44	V200	PAD-52	WM20	PS200-T51	220 gal
RL81	PC266	WR260	WWT-85	WX-302	WF260	CM17002	HT86	V250	PAD-86	WM25L	PS220-T52	220 gal
RL119	PC366	WR360	WWT-120	WX-350	WF360	CM22050	HT119	V350	PAD-119	WM35	-	315 gal

NOTE: Add "S" for horizontal models with pump stand; all models are 20 psi/1.9 bar pre-charge; maximum working pressure for all models is 125 psi/8.5 bar; maximum working temperature for all models is 140 ° F/60 ° C

DRAW DOWN FACTORS

Max. System Pressure (Cut-Out) PSIG (kPa) bar	Minimum System Pressure (Cut-In) - PSIG (kPa) bar														
	20 (138) 1.38	25 (-173) 1.72	30 (-207) 2.06	45 (-311) 3.1	50 (-345) 3.45	55 (-380) 3.8	60 (-414) 4.16	75 (518) 5.17	80 (552) 5.51	85 (587) 5.86	90 (621) 6.2	95 (656) 6.55	100 (690) 6.89	105 (725) 7.24	110 (759) 7.58
30 (207) 2.06	.21														
35 (242) 2.41	.28	.19													
40 (276) 2.76	.34	.26	.17												
45 (311) 3.10	.39	.32	.24												
50 (345) 3.45	.44	.37	.30												
55 (380) 3.80	.47	.41	.34	.14											
60 (414) 4.16	.50	.44	.38	.19	.13										
65 (449) 4.48	.53	.48	.42	.24	.18	.12									
70 (483) 4.83	.56	.50	.45	.29	.23	.17	.11								
75 (518) 5.17		.53	.48	.32	.27	.22	.16								
80 (552) 5.51			.50	.36	.31	.26	.21								
85 (587) 5.86				.39	.34	.29	.24	.10							
90 (621) 6.20				.42	.37	.32	.28	.14	.09						
95 (656) 6.55				.44	.40	.35	.31	.18	.13	.09					
100 (690) 6.89					.42	.38	.34	.21	.17	.13	.09				
105 (725) 7.24						.41	.37	.25	.20	.16	.13	.08			
110 (759) 7.58							.39	.27	.24	.20	.16	.12	.08		
115 (794) 7.92								.30	.26	.23	.19	.15	.11	.08	
120 (828) 8.27								.33	.29	.25	.22	.18	.15	.11	.07
125 (863) 8.62								.35	.32	.28	.25	.21	.18	.14	.11

NOTE: In keeping with current industry standards, drawdown factors are based on Boyle's law; actual drawdowns will vary depending upon system variables, including the accuracy and operation of the pressure switch and gauge, actual precharge pressure and operating temperature of the system

TANK SIZING INFORMATION

There are three factors to consider when selecting the proper size for your water system:

- The pump delivery rate in gallons/liters per minute (gpm/lpm).
- The recommended minimum running time of the pump.
- The minimum (cut-in) and maximum (cut-out) system pressure parameters.

Once these factors are known, the following calculations will determine, in most cases, the correct model to meet your specifications.*

Calculating Drawdown

1. Pump delivery rate.
2. Desired minimum pump running time in minutes (1 minute, 45 seconds = 1.75 minutes).
3. Multiply line #1 by line #2. This is the minimum drawdown or available water volume required.*

_____ gpm/lpm
 _____ Minutes
 _____ Gallons/Liters

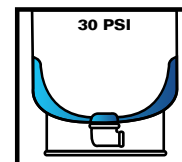
Calculating Tank Size

4. Minimum system pressure (cut-in).
5. Maximum system pressure (cut-out).
6. Using table #2, find the drawdown factor applicable to lines #4 and #5.
7. Divide line #3 by line #6 to determine the minimum total volume required.
8. Refer to the design data and select the model with the lowest total capacity that is greater than or equal to line #7.

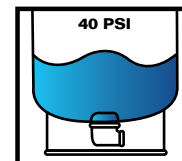
_____ PSIG/kPa/bar
 _____ PSIG/kPa/bar
 _____ Factor
 _____ Gallons/Liters
 _____ Model

Example: An application using an 8 gpm pump with a minimum run time of 1 minute and a 30/50 PSIG system pressure range:
 8 gpm x 1 minute / .30 (factor) = 2.67 gallon minimum tank capacity

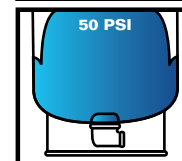
*If a volume of water needed is greater than the amount calculated on line #3, enter that amount on line #3 in place of the calculated volume.



Pump comes on and begins to fill tank.



Pump continues to run compressing air charge in tank.



Pump shuts off. Drawdown water is available on demand.

5 GPM

APPLICATIONS

- For both new installs and replacement applications where water must be transferred under pressure from wells, cisterns, ponds, lakes, and streams

FEATURES

- 1/2 hp to 1 hp single-phase motors
- Removable suction screen prevents debris from clogging impellers and provides full-flow performance
- Hex rubber bearing has multi-flow channels to keep small particles away from bearing surface
- Built-in Flomatic™ check valve assembly provides positive seal, preventing system drain-back
- Stainless steel bearing sleeve
- Acetal disk facilitates close tolerances for increased performance
- Stainless steel up-thrust washer prevents excessive wear in severe applications
- Two-year limited warranty



SERIES SPECIFICATIONS

Thermoplastic Discharge									
Item No.	Model	HP	Stages	Volts	Wire	Shut-Off ft (m)	Weight lbs (kg)	Quick Disconnect Control Box (QD)	Capacitor Run Control Box (CRC)
558551	W5G05S13-21P	1/2	13	115	2	364 (110.9 m)	26 (11.8)	-	-
558537	W5G05S13-22P	1/2	13	230	2	364 (110.9 m)	26 (11.8)	-	-
558554	W5G05S13-32P	1/2	13	230	3	364 (110.9 m)	25 (11.3)	2801054915	2824055015
558618	W5G05S13-21P	1/2	8	115	3	364 (110.9 m)	25 (11.3)	2801044915	-
558552	W5G07S18-22P	3/4	18	230	2	528 (160.9 m)	29 (13.2)	-	-
558555	W5G07S18-32P	3/4	18	230	3	528 (160.9 m)	30 (13.6)	2801074915	2824075015
558553	W5G10S21-22P	1	21	230	2	614 (187.1 m)	33 (15.0)	-	-
558556	W5G10S21-32P	1	21	230	3	614 (187.1 m)	34 (15.0)	2801084915	2824085015
Pump End Only									
558400	W5G05S13-PEP	1/2	-	-	-	-	8 (3.6)	-	-
558401	W5G07S18-PEP	3/4	-	-	-	-	10 (4.5)	-	-
558402	W5G10S21-PEP	1	-	-	-	-	11 (5.0)	-	-
Stainless Steel Discharge									
Item No.	Model	HP	Stages	Volts	Wire	Shut-Off ft (m)	Weight lbs (kg)	Quick Disconnect Control Box (QD)	Capacitor Run Control Box (CRC)
558575	W5G05S13-21S	1/2	13	115	2	364 (110.9 m)	26 (11.8)	-	-
558599	W5G05S13-22S	1/2	13	230	2	364 (110.9 m)	26 (11.8)	-	-
558578	W5G05S13-32S	1/2	13	230	3	364 (110.9 m)	25 (11.3)	2801054915	2824055015
558576	W5G07S18-22S	3/4	18	230	2	528 (160.9 m)	29 (13.2)	-	-
558579	W5G07S18-32S	3/4	18	230	3	528 (160.9 m)	30 (13.6)	2801074915	2824075015
558577	W5G10S21-22S	1	21	230	2	614 (187.1 m)	33 (15.0)	-	-
558580	W5G10S21-32S	1	21	230	3	614 (187.1 m)	34 (15.4)	2801084915	2824085015
Pump End Only									
558450	W5G05S13-PES	1/2	-	-	-	-	9 (4.1)	-	-
558451	W5G07S18-PES	3/4	-	-	-	-	11 (5.0)	-	-
558452	W5G10S21-PES	1	-	-	-	-	12 (5.4)	-	-

4" SUBMERSIBLE WELL PUMPS



5 GPM

CAPACITIES IN GPM (LPM)

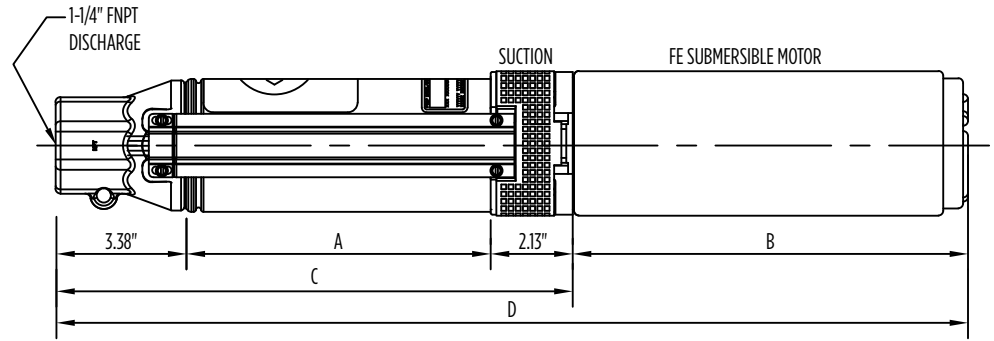
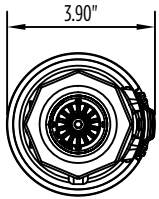
Model	HP	Stage	PSI	Depth to Pumping Water Level in ft (m)																	Shut-Off ft (m)							
				20 (6.1)	40 (12.2)	60 (18.3)	80 (24.4)	100 (30.1)	120 (36.6)	140 (42.7)	160 (48.8)	180 (54.9)	200 (61)	240 (73.2)	260 (79.3)	300 (91.4)	360 (109.8)	400 (121.9)	440 (134.1)	480 (146.3)		500 (152.4)	600 (182.8)					
W5G05S13	1/2	8/13	0							7 (26.5)	7 (26.5)	6 (22.7)	6 (22.7)	5 (19.0)	5 (19.0)	3 (11.4)	2 (7.6)									315 (96.01)		
			20					8 (30.3)	7 (26.5)	6 (22.7)	6 (22.7)	5 (19.0)	5 (19.0)	3 (11.4)	2 (7.6)													
			30				7 (26.5)	7 (26.5)	6 (22.7)	6 (22.7)	5 (19.0)	5 (19.0)	4 (15.2)	3 (11.4)														
			40			7 (26.5)	7 (26.5)	6 (22.7)	6 (22.7)	5 (19.0)	5 (19.0)	4 (15.2)	3 (11.4)															
			50		7 (26.5)	6 (22.7)	6 (22.7)	6 (22.7)	5 (19.0)	5 (19.0)	4 (15.2)	2 (7.6)																
			60	7 (26.5)	7 (26.5)	6 (22.7)	6 (22.7)	5 (19.0)	4 (15.2)	4 (15.2)	2 (7.6)																	
			80	6 (22.7)	6 (22.7)	5 (19.0)	4 (15.2)	3 (11.4)																				
Shut-Off PSI				127	119	110	101	93	84	75	67	58	49	32	23													
W5G07S13	3/4	18	0										7 (26.5)	7 (26.5)	7 (26.5)	6 (22.7)	5 (19.0)	4 (15.2)	3 (11.4)							528 (161)		
			20									7 (26.5)	7 (26.5)	7 (26.5)	6 (22.7)	6 (22.7)	5 (19.0)	4 (15.2)	3 (11.4)									
			30									7 (26.5)	7 (26.5)	7 (26.5)	6 (22.7)	6 (22.7)	5 (19.0)	4 (15.2)	3 (11.4)									
			40							7 (26.5)	7 (26.5)	7 (26.5)	6 (22.7)	6 (22.7)	6 (22.7)	5 (19.0)	4 (15.2)	2 (7.6)										
			50						7 (26.5)	7 (26.5)	7 (26.5)	6 (22.7)	6 (22.7)	6 (22.7)	5 (19.0)	4 (15.2)												
			60					7 (26.5)	7 (26.5)	6 (22.7)	6 (22.7)	6 (22.7)	5 (19.0)	5 (19.0)	4 (15.2)	3 (11.4)												
			80		7 (26.5)	7 (26.5)	7 (26.5)	6 (22.7)	6 (22.7)	6 (22.7)	5 (19.0)	5 (19.0)	4 (15.2)	3 (11.4)	3 (11.4)													
Shut-Off PSI				205	196	188	179	171	162	153	145	136	127	110	101	84	58	41	23									
W5G10S13	1	21	0														8 (30.3)	7 (26.5)	6 (22.7)	6 (22.7)	5 (19.0)	4 (15.2)	4 (15.2)			615 (187.5)		
			20														7 (26.5)	7 (26.5)	7 (26.5)	6 (22.7)	5 (19.0)	4 (15.2)	3 (11.4)					
			30													7 (26.5)	7 (26.5)	7 (26.5)	6 (22.7)	5 (19.0)	5 (19.0)	3 (11.4)	2 (7.6)					
			40											7 (26.5)	7 (26.5)	7 (26.5)	7 (26.5)	6 (22.7)	5 (19.0)	4 (15.2)	3 (11.4)							
			50										7 (26.5)	7 (26.5)	7 (26.5)	7 (26.5)	6 (22.7)	6 (22.7)	5 (19.0)	4 (15.2)	3 (11.4)							
			60										7 (26.5)	7 (26.5)	7 (26.5)	6 (22.7)	6 (22.7)	5 (19.0)	4 (15.2)									
			80								7 (26.5)	7 (26.5)	7 (26.5)	6 (22.7)	6 (22.7)	5 (19.0)	5 (19.0)	4 (15.2)										
Shut-Off PSI				257	248	240	231	222	214	205	197	188	179	162	153	136	110	93	75	58	49							

NOTE: Performance shown does not include friction loss in the drop pipe; all performance data is based on rated motor nameplate voltage

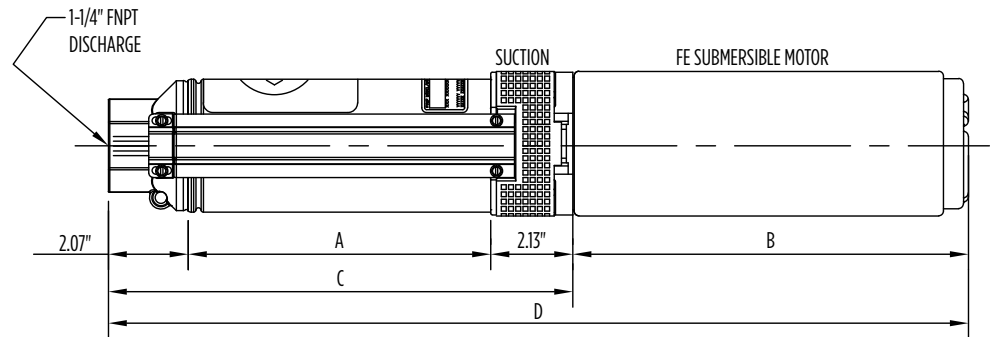
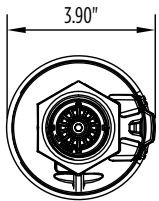


5 GPM

ENGINEERING DATA



Item No.	Model	Dimension "A"	Dimension "B"	Dimension "C"	Dimension "D"
558551	W5G05S13-21P	12.03" (30.6 cm)	9.51" (24.2 cm)	17.57" (44.6 cm)	27.05" (68.7 cm)
558537	W5G05S13-22P	12.03" (30.6 cm)	9.51" (24.2 cm)	17.57" (44.6 cm)	27.05" (68.7 cm)
558554	W5G05S13-32P	12.03" (30.6 cm)	9.51" (24.2 cm)	17.57" (44.6 cm)	27.05" (68.7 cm)
558618	W5G05S13-21P	12.03" (30.6 cm)	9.51" (24.2 cm)	17.57" (44.6 cm)	27.05" (68.7 cm)
558552	W5G07S18-22P	16.0" (40.6 cm)	10.64" (27.0 cm)	21.51" (54.6 cm)	32.12" (81.6 cm)
558555	W5G07S18-32P	16.0" (40.6 cm)	10.64" (27.0 cm)	21.51" (54.6 cm)	32.12" (81.6 cm)
558553	W5G10S21-22P	16.78" (42.6 cm)	11.73" (29.8 cm)	22.27" (56.67 cm)	34.0" (86.3 cm)
558556	W5G10S21-32P	16.78" (42.6 cm)	11.73" (29.8 cm)	22.27" (56.67 cm)	34.0" (86.3 cm)



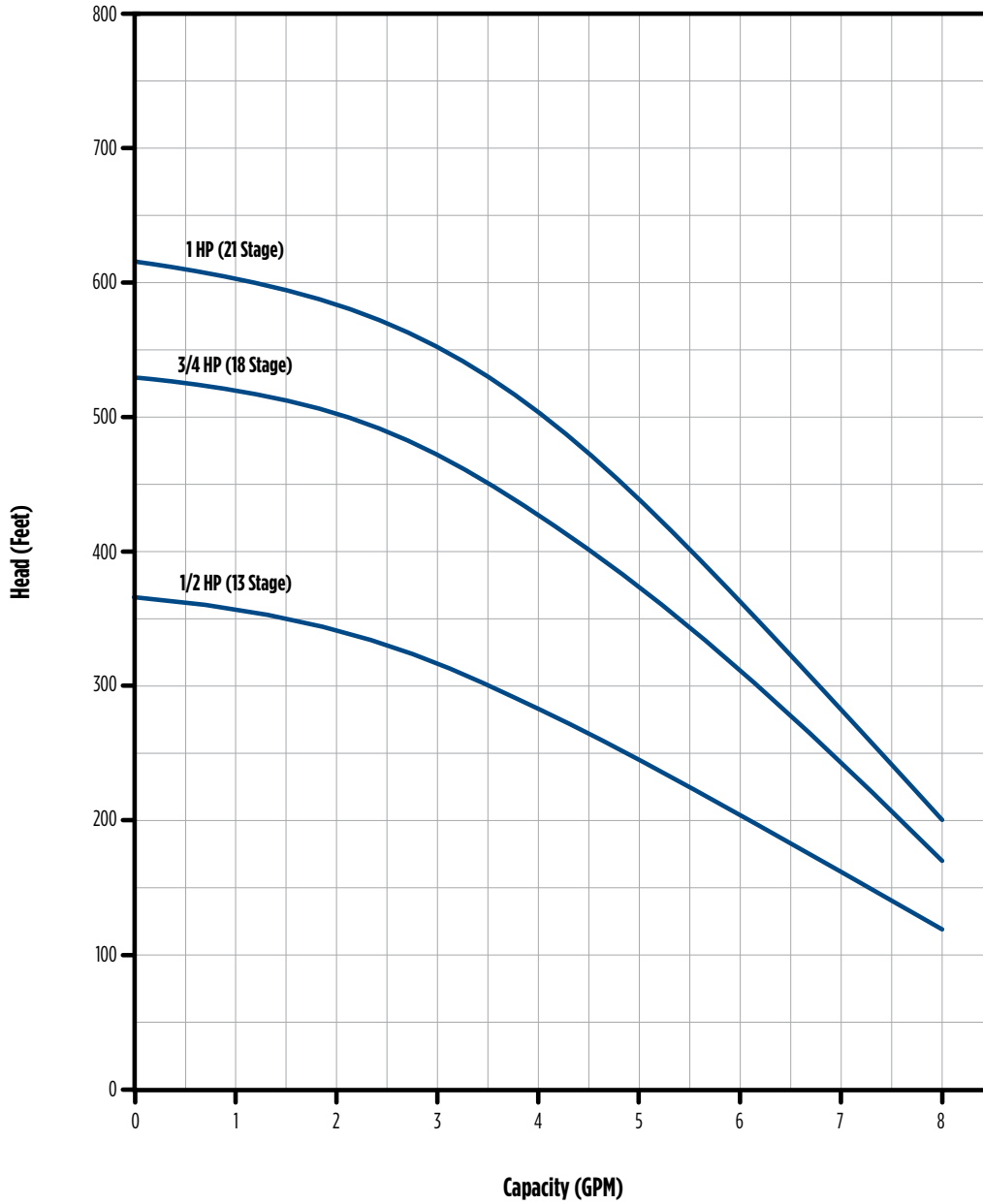
Item No.	Model	Dimension "A"	Dimension "B"	Dimension "C"	Dimension "D"
558575	W5G05S13-21S	13.75" (34.9 cm)	9.51" (24.2 cm)	15.24" (38.7 cm)	26.90" (68.3 cm)
558599	W5G05S13-22S	13.75" (34.9 cm)	9.51" (24.2 cm)	15.24" (38.7 cm)	26.90" (68.3 cm)
558578	W5G05S13-32S	13.75" (34.9 cm)	9.51" (24.2 cm)	15.24" (38.7 cm)	26.90" (68.3 cm)
558576	W5G07S18-22S	17.71" (45.0 cm)	10.64" (27.0 cm)	19.2" (48.8 cm)	32.55" (82.6 cm)
558579	W5G07S18-32S	17.71" (45.0 cm)	10.64" (27.0 cm)	19.2" (48.8 cm)	32.55" (82.6 cm)
558577	W5G10S21-22S	20.09" (51.0 cm)	11.73" (29.8 cm)	21.58" (54.8 cm)	35.46" (90.1 cm)
558580	W5G10S21-32S	20.09" (51.0 cm)	11.73" (29.8 cm)	21.58" (54.8 cm)	35.46" (90.1 cm)

4" SUBMERSIBLE WELL PUMPS

MENU

5 GPM

PERFORMANCE DATA



8 GPM

APPLICATIONS

- For both new installs and replacement applications where water must be transferred under pressure from wells, cisterns, ponds, lakes, and streams

FEATURES

- 1/2 hp to 1 hp single-phase motors
- Removable suction screen prevents debris from clogging impellers and provides full-flow performance
- Hex rubber bearing has multi-flow channels to keep small particles away from bearing surface
- Built-in Flomatic™ check valve assembly provides positive seal, preventing system drain-back
- Stainless steel bearing sleeve
- Acetal disk facilitates close tolerances for increased performance
- Stainless steel up-thrust washer prevents excessive wear in severe applications
- Two-year limited warranty



SERIES SPECIFICATIONS

Thermoplastic Discharge									
Item No.	Model	HP	Stages	Volts	Wire	Shut-Off ft (m)	Weight lbs (kg)	Quick Disconnect Control Box (QD)	Capacitor Run Control Box (CRC)
558557	W8G05S9-21P	1/2	9	115	2	280 (85.3 m)	24 (10.9)	-	-
558558	W8G05S9-22P	1/2	9	230	2	280 (85.3 m)	24 (10.9)	-	-
558561	W8G05S9-32P	1/2	9	230	3	280 (85.3 m)	24 (10.9)	2801054915	2824055015
558559	W8G07S12-22P	3/4	12	230	2	374 (113.9 m)	28 (12.7)	-	-
558562	W8G07S12-32P	3/4	12	230	3	374 (113.9 m)	28 (12.7)	2801074915	2824075015
558560	W8G10S15-22P	1	15	230	2	450 (137.1 m)	33 (15.0)	-	-
558563	W8G10S15-32P	1	15	230	3	450 (137.1 m)	33 (15.0)	2801084915	2824085015
Pump End Only									
558403	W8G05S9-PEP	1/2	-	-	-	-	4 (1.8)	-	-
558404	W8G07S12-PEP	3/4	-	-	-	-	7 (3.2)	-	-
558405	W8G10S15-PEP	1	-	-	-	-	8 (3.6)	-	-
Stainless Steel Discharge									
Item No.	Model	HP	Stages	Volts	Wire	Shut-Off ft (m)	Weight lbs (kg)	Quick Disconnect Control Box (QD)	Capacitor Run Control Box (CRC)
558581	W8G05S9-21S	1/2	9	115	2	280 (85.3 m)	24 (10.9)	-	-
558582	W8G05S9-22S	1/2	9	230	2	280 (85.3 m)	24 (10.9)	-	-
558585	W8G05S9-32S	1/2	9	230	3	280 (85.3 m)	24 (10.9)	2801054915	2824055015
558583	W8G07S12-22S	3/4	12	230	2	374 (113.9 m)	28 (12.7)	-	-
558586	W8G07S12-32S	3/4	12	230	3	374 (113.9 m)	28 (12.7)	2801074915	2824075015
558584	W8G10S15-22S	1	15	230	2	450 (137.1 m)	33 (15.0)	-	-
558587	W8G10S15-32S	1	15	230	3	450 (137.1 m)	33 (15.0)	2801084915	2824085015
Pump End Only									
558453	W8G05S9-PRS	1/2	-	-	-	-	5 (2.3)	-	-
558454	W8G07S12-PES	3/4	-	-	-	-	8 (3.6)	-	-
558455	W8G10S15-22S	1	-	-	-	-	9 (4.1)	-	-

4" SUBMERSIBLE WELL PUMPS



8 GPM

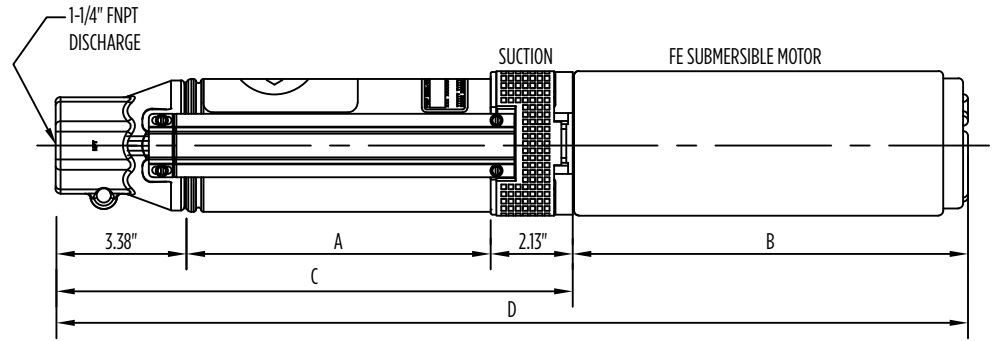
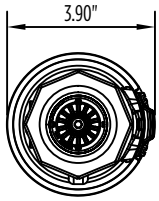
CAPACITIES IN GPM (LPM)

Model	HP	Stage	PSI	Depth to Pumping Water Level in ft (m)																	Shut-Off ft (m)							
				20 (6.1)	40 (12.2)	60 (18.3)	80 (24.4)	100 (30.1)	140 (42.7)	180 (54.9)	200 (61)	240 (73.2)	300 (91.4)	360 (109.8)	400 (121.9)	440 (134.1)	480 (146.3)	500 (152.4)	600 (182.8)	700 (213.3)		800 (243.8)						
W8G05S9	1/2	9	0				10 (37.9)	10 (37.9)	9 (34.1)	9 (34.1)	8 (30.3)	7 (26.5)	6 (22.7)	5 (19.0)	4 (15.2)													
			20		10 (37.9)	9 (34.1)	9 (34.1)	8 (30.3)	8 (30.3)	7 (26.5)	6 (22.7)	5 (19.0)	4 (15.2)															
			30	10 (37.9)	9 (34.1)	9 (34.1)	8 (30.3)	8 (30.3)	7 (26.5)	6 (22.7)	5 (19.0)	4 (15.2)	3 (11.4)															
			40	9 (34.1)	9 (34.1)	8 (30.3)	8 (30.3)	7 (26.5)	6 (22.7)	5 (19.0)	4 (15.2)	3 (11.4)																
			50	9 (34.1)	8 (30.3)	7 (26.5)	7 (26.5)	6 (22.7)	5 (19.0)	4 (15.2)	3 (11.4)																	
			60	8 (30.3)	7 (26.5)	6 (22.7)	6 (22.7)	5 (19.0)	4 (15.2)	3 (11.4)																		
			80	6 (22.7)	5 (19.0)	4 (15.2)	3 (11.4)																					
Shut-Off PSI				121	112	103	95	86	77	69	60	52	43	26	17													
W8G07S12	3/4	12	0						10 (37.9)	10 (37.9)	9 (34.1)	9 (34.1)	8 (30.3)	7 (26.5)	6 (22.7)	4 (15.2)												
			20			10 (37.9)	10 (37.9)	10 (37.9)	9 (34.1)	9 (34.1)	8 (30.3)	8 (30.3)	7 (26.5)	6 (22.7)	6 (22.7)	4 (15.2)												
			30		10 (37.9)	10 (37.9)	10 (37.9)	9 (34.1)	9 (34.1)	8 (30.3)	8 (30.3)	7 (26.5)	6 (22.7)	5 (19.0)	3 (11.4)													
			40	10 (37.9)	10 (37.9)	10 (37.9)	9 (34.1)	9 (34.1)	8 (30.3)	8 (30.3)	7 (26.5)	7 (26.5)	6 (22.7)	5 (19.0)	4 (15.2)													
			50	10 (37.9)	9 (34.1)	9 (34.1)	8 (30.3)	8 (30.3)	7 (26.5)	7 (26.5)	6 (22.7)	6 (22.7)	5 (19.0)	4 (15.2)	3 (11.4)													
			60	9 (34.1)	9 (34.1)	8 (30.3)	8 (30.3)	7 (26.5)	7 (26.5)	6 (22.7)	6 (22.7)	5 (19.0)	3 (11.4)															
			80	8 (30.3)	8 (30.3)	7 (26.5)	6 (22.7)	6 (22.7)	5 (19.0)	5 (19.0)	4 (15.2)	3 (11.4)																
Shut-Off PSI				174	165	156	148	139	130	122	113	104	96	78	70	52	26											
W8G10S15	1	15	0						10 (37.9)	10 (37.9)	10 (37.9)	9 (34.1)	9 (34.1)	8 (30.3)	8 (30.3)	7 (26.5)	6 (22.7)	5 (19.0)	3 (11.4)	3 (11.4)								
			20					10 (37.9)	10 (37.9)	10 (37.9)	9 (34.1)	9 (34.1)	8 (30.3)	8 (30.3)	7 (26.5)	6 (22.7)	6 (22.7)	5 (19.0)	5 (19.0)	3 (11.4)								
			30			10 (37.9)	10 (37.9)	10 (37.9)	10 (37.9)	9 (34.1)	9 (34.1)	9 (34.1)	8 (30.3)	8 (30.3)	7 (26.5)	6 (22.7)	6 (22.7)	5 (19.0)	4 (15.2)									
			40		10 (37.9)	10 (37.9)	10 (37.9)	10 (37.9)	9 (34.1)	9 (34.1)	9 (34.1)	8 (30.3)	8 (30.3)	7 (26.5)	7 (26.5)	6 (22.7)	6 (22.7)	4 (15.2)	3 (11.4)									
			50	10 (37.9)	10 (37.9)	10 (37.9)	10 (37.9)	9 (34.1)	9 (34.1)	9 (34.1)	8 (30.3)	8 (30.3)	8 (30.3)	7 (26.5)	6 (22.7)	6 (22.7)	5 (19.0)	5 (19.0)	3 (11.4)									
			60	10 (37.9)	10 (37.9)	9 (34.1)	9 (34.1)	9 (34.1)	8 (30.3)	8 (30.3)	8 (30.3)	7 (26.5)	7 (26.5)	6 (22.7)	6 (22.7)	5 (19.0)	5 (19.0)	3 (11.4)										
			80	9 (34.1)	9 (34.1)	8 (30.3)	8 (30.3)	8 (30.3)	7 (26.5)	7 (26.5)	6 (22.7)	6 (22.7)	5 (19.0)	5 (19.0)	3 (11.4)													
Shut-Off PSI				226	218	209	200	192	183	174	166	157	148	131	123	105	79	62	45	27	18							

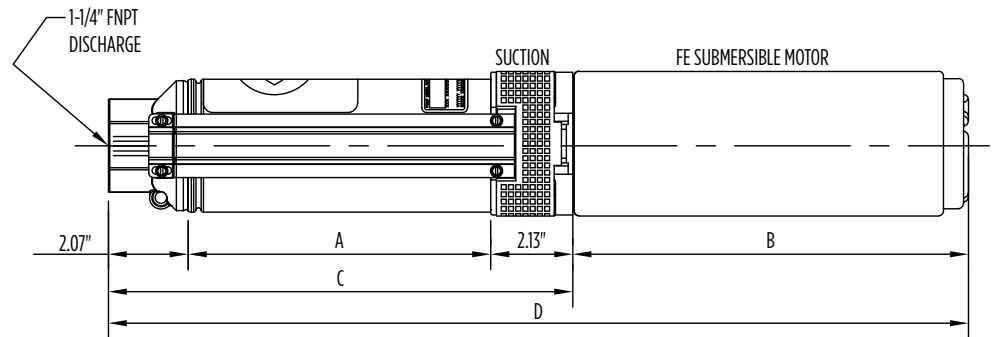
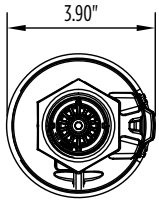
NOTE: Performance shown does not include friction loss in the drop pipe; all performance data is based on rated motor nameplate voltage

8 GPM

ENGINEERING DATA



Item No.	Model	Dimension "A"	Dimension "B"	Dimension "C"	Dimension "D"
558557	W8G05S9-21P	8.79" (22.3 cm)	9.51" (24.1 cm)	12.23" (31.1 cm)	23.87" (60.6 cm)
558558	W8G05S9-22P	8.79" (22.3 cm)	9.51" (24.1 cm)	12.23" (31.1 cm)	23.87" (60.6 cm)
558561	W8G05S9-32P	8.79" (22.3 cm)	9.51" (24.1 cm)	12.23" (31.1 cm)	23.87" (60.6 cm)
558559	W8G07S12-22P	11.14" (28.3 cm)	10.64" (27.0 cm)	16.65" (42.3 cm)	27.29" (69.3 cm)
558562	W8G07S12-32P	11.14" (28.3 cm)	10.64" (27.0 cm)	16.65" (42.3 cm)	27.29" (69.3 cm)
558560	W8G10S15-22P	13.49" (34.2 cm)	11.73" (29.8 cm)	19.00" (48.3 cm)	30.73" (78.0 cm)
558563	W8G10S15-32P	13.49" (34.2 cm)	11.73" (29.8 cm)	19.00" (48.3 cm)	30.73" (78.0 cm)



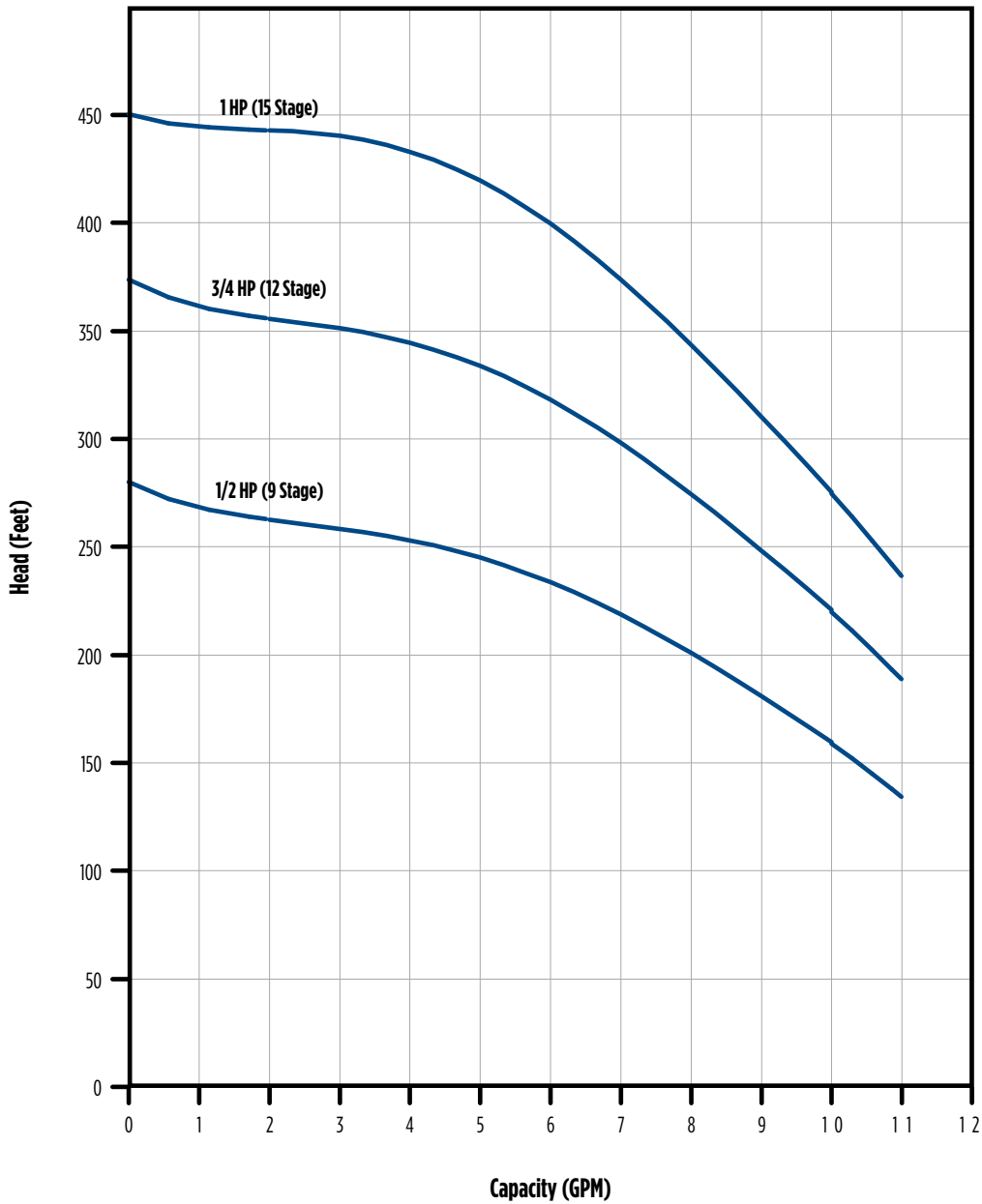
Item No.	Model	Dimension "A"	Dimension "B"	Dimension "C"	Dimension "D"
558581	W8G05S9-21S	10.42" (26.57 cm)	9.51" (24.2 cm)	14.62" (37.1 cm)	24.13" (61.3 cm)
558582	W8G05S9-22S	10.42" (26.57 cm)	9.51" (24.2 cm)	14.62" (37.1 cm)	24.13" (61.3 cm)
558585	W8G05S9-32S	10.42" (26.57 cm)	9.51" (24.2 cm)	14.62" (37.1 cm)	24.13" (61.3 cm)
558583	W8G07S12-22S	12.77" (32.4 cm)	10.64" (27.0 cm)	16.97" (43.1 cm)	26.61" (67.5 cm)
558586	W8G07S12-32S	12.77" (32.4 cm)	10.64" (27.0 cm)	16.97" (43.1 cm)	26.61" (67.5 cm)
558584	W8G10S15-22S	15.12" (38.4 cm)	11.73" (29.8 cm)	19.32" (49.1 cm)	31.05" (78.9 cm)
558587	W8G10S15-32S	15.12" (38.4 cm)	11.73" (29.8 cm)	19.32" (49.1 cm)	31.05" (78.9 cm)

4" SUBMERSIBLE WELL PUMPS

MENU

8 GPM

PERFORMANCE DATA



12 GPM

APPLICATIONS

- For both new installs and replacement applications where water must be transferred under pressure from wells, cisterns, ponds, lakes, and streams

FEATURES

- 1/2 hp to 1-1/2 hp single-phase motors
- Removable suction screen prevents debris from clogging impellers and provides full-flow performance
- Hex rubber bearing has multi-flow channels to keep small particles away from bearing surface
- Built-in Flomatic™ check valve assembly provides positive seal, preventing system drain-back
- Stainless steel bearing sleeve
- Acetal disk facilitates close tolerances for increased performance
- Stainless steel up-thrust washer prevents excessive wear in severe applications
- Two-year limited warranty



SERIES SPECIFICATIONS

Thermoplastic Discharge									
Item No.	Model	HP	Stages	Volts	Wire	Shut-Off ft (m)	Weight lbs (kg)	Quick Disconnect Control Box (QD)	Capacitor Run Control Box (CRC)
558564	W12G05S7-21P	1/2	7	115	2	240 (73.1 m)	24 (10.9)	-	-
558536	W12G05S7-31P	1/2	7	115	3	240 (73.1 m)	24 (10.9)	2801044915	-
558565	W12G05S7-22P	1/2	7	230	2	240 (73.1 m)	24 (10.9)	-	-
558569	W12G05S7-32P	1/2	7	230	3	240 (73.1 m)	24 (10.9)	2801054915	2824055015
558566	W12G07S9-22P	3/4	9	230	2	295 (89.9 m)	28 (12.7)	-	-
558570	W12G07S9-32P	3/4	9	230	3	295 (89.9 m)	28 (12.7)	2801074915	2824075015
558567	W12G10S12-22P	1	12	230	2	395 (120.3 m)	31 (14.1)	-	-
558571	W12G10S12-32P	1	12	230	3	395 (120.3 m)	32 (14.5)	2801084915	2824085015
558568	W12G15S17-22P	1-1/2	17	230	2	560 (170.6 m)	38 (17.2)	-	-
558572	W12G15S17-32P	1-1/2	17	230	3	560 (170.6 m)	39 (17.7)	-	-
Pump End Only									
558406	W12G05S7-PEP	1/2	-	-	-	-	6 (2.7)	-	-
558407	W12G07S9-PEP	3/4	-	-	-	-	7 (3.2)	-	-
558408	W12G10S12-PEP	1	-	-	-	-	8 (3.6)	-	-
558409	W12G15S17-PEP	1-1/2	-	-	-	-	12 (5.5)	-	-
Stainless Steel Discharge									
Item No.	Model	HP	Stages	Volts	Wire	Shut-Off ft (m)	Weight lbs (kg)	Quick Disconnect Control Box (QD)	Capacitor Run Control Box (CRC)
558588	W12G05S7-21S	1/2	7	115	2	240 (73.1 m)	24 (10.9)	-	-
558600	W12G05S7-31S	1/2	7	115	3	240 (73.1 m)	24 (10.9)	2801044915	-
558589	W12G05S7-22S	1/2	7	230	2	240 (73.1 m)	24 (10.9)	-	-
558593	W12G05S7-32S	1/2	7	230	3	240 (73.1 m)	24 (10.9)	2801054915	2824055015
558590	W12G07S9-22S	3/4	9	230	2	295 (89.9 m)	28 (12.7)	-	-
558594	W12G07S9-32S	3/4	9	230	3	295 (89.9 m)	28 (12.7)	2801074915	2824075015
558591	W12G10S12-22S	1	12	230	2	395 (120.3 m)	31 (14.1)	-	-
558595	W12G10S12-32S	1	12	230	3	395 (120.3 m)	32 (14.5)	2801084915	2824085015
558592	W12G15S17-22S	1-1/2	17	230	2	560 (170.6 m)	38 (17.2)	-	-
558596	W12G15S17-32S	1-1/2	17	230	3	560 (170.6 m)	39 (17.7)	-	2823008110
Pump End Only									
558456	W12G05S7-PES	1/2	-	-	-	-	7 (3.2)	-	-
558457	W12G07S9-PES	3/4	-	-	-	-	8 (5.5)	-	-
558458	W12G10S12-PES	1	-	-	-	-	9.00 (4.1)	-	-
558459	W12G15S17-PES	1-1/2	-	-	-	-	13 (5.5)	-	-

4" SUBMERSIBLE WELL PUMPS



12 GPM

CAPACITIES IN GPM (LPM)

Model	HP	Stage	PSI	Depth to Pumping Water Level in ft (m)																	Shut-Off ft (m)						
				20 (6.1)	40 (12.2)	60 (18.3)	80 (24.4)	100 (30.1)	120 (36.6)	140 (42.7)	160 (48.8)	180 (54.9)	200 (61)	240 (73.2)	260 (79.3)	300 (91.4)	360 (109.8)	400 (121.9)	480 (146.3)	500 (152.4)		600 (182.8)	700 (213.3)				
	1/2	7	0				14 (53.1)	13 (49.3)	12 (45.5)	11 (41.7)	10 (37.9)	9 (34.1)	7 (26.5)														
			20	14 (53.1)	13 (49.3)	13 (49.3)	12 (45.5)	11 (41.7)	10 (37.9)	8 (30.3)	6 (22.7)	3 (11.4)															
			30	13 (49.3)	13 (49.3)	12 (45.5)	11 (41.7)	10 (37.9)	8 (30.3)	6 (22.7)	3 (11.4)																
			40	13 (49.3)	12 (45.5)	11 (41.7)	10 (37.9)	8 (30.3)	6 (22.7)	3 (11.4)																	
			50	12 (45.5)	11 (41.7)	9 (34.1)	8 (30.3)	5 (19.0)	3 (11.4)																		
			60	11 (41.7)	10 (37.9)	7 (26.5)	4 (15.2)																				
			80	8 (30.3)	6 (22.7)	4 (15.2)																					
Shut-Off PSI				97	88	80	71	62	54	45	36	28	19														
	3/4	9	0					14 (53.1)	13 (49.3)	13 (49.3)	12 (45.5)	11 (41.7)	10 (37.9)	7 (26.5)	8 (30.3)	4 (15.2)											
			20		14 (53.1)	14 (53.1)	13 (49.3)	12 (45.5)	12 (45.5)	11 (41.7)	10 (37.9)	9 (34.1)	8 (30.3)	6 (22.7)	4 (15.2)												
			30	14 (53.1)	14 (53.1)	13 (49.3)	12 (45.5)	12 (45.5)	11 (41.7)	10 (37.9)	9 (34.1)	8 (30.3)	7 (26.5)	3 (11.4)													
			40	14 (53.1)	13 (49.3)	12 (45.5)	12 (45.5)	11 (41.7)	10 (37.9)	9 (34.1)	8 (30.3)	7 (26.5)	6 (22.7)														
			50	13 (49.3)	12 (45.5)	11 (41.7)	11 (41.7)	10 (37.9)	9 (34.1)	8 (30.3)	7 (26.5)	5 (19.0)	3 (11.4)														
			60	12 (45.5)	11 (41.7)	11 (41.7)	10 (37.9)	9 (34.1)	8 (30.3)	6 (22.7)	5 (19.0)																
			80	11 (41.7)	10 (37.9)	9 (34.1)	8 (30.3)	6 (22.7)	5 (19.0)																		
Shut-Off PSI				137	129	120	111	103	94	85	77	68	59	42	34	16											
	1	12	0								14 (53.1)	13 (49.3)	13 (49.3)	12 (45.5)	11 (41.7)	10 (37.9)	9 (34.1)	7 (26.5)	4 (15.2)								
			20					14 (53.1)	13 (49.3)	13 (49.3)	12 (45.5)	11 (41.7)	11 (41.7)	9 (34.1)	9 (34.1)	7 (26.5)	3 (11.4)										
			30				14 (53.1)	13 (49.3)	13 (49.3)	12 (45.5)	11 (41.7)	11 (41.7)	10 (37.9)	9 (34.1)	8 (30.3)	6 (22.7)											
			40			14 (53.1)	13 (49.3)	13 (49.3)	12 (45.5)	11 (41.7)	11 (41.7)	10 (37.9)	9 (34.1)	8 (30.3)	7 (26.5)	5 (19.0)											
			50		14 (53.1)	13 (49.3)	12 (45.5)	12 (45.5)	11 (41.7)	11 (41.7)	10 (37.9)	9 (34.1)	8 (30.3)	7 (26.5)	6 (22.7)												
			60	13 (49.3)	12 (45.5)	12 (45.5)	11 (41.7)	11 (41.7)	10 (37.9)	9 (34.1)	8 (30.3)	7 (26.5)	5 (19.0)	4 (15.2)													
			80	12 (45.5)	12 (45.5)	11 (41.7)	10 (37.9)	10 (37.9)	9 (34.1)	8 (30.3)	7 (26.5)	6 (22.7)	5 (19.0)														
Shut-Off PSI				183	174	157	148	140	131	123	114	105	97	79	71	53	27	10									
	1-1/2	17	0										14 (53.1)	13 (49.3)	13 (49.3)	12 (45.5)	12 (45.5)	11 (41.7)	11 (41.7)	10 (37.9)	8 (30.3)	7 (26.5)	5 (19.0)	7 (26.5)			
			20									14 (53.1)	13 (49.3)	13 (49.3)	12 (45.5)	12 (45.5)	11 (41.7)	11 (41.7)	10 (37.9)	9 (34.1)	8 (30.3)	7 (26.5)	6 (22.7)	5 (19.0)	5 (19.0)		
			30								14 (53.1)	13 (49.3)	13 (49.3)	12 (45.5)	12 (45.5)	11 (41.7)	11 (41.7)	10 (37.9)	10 (37.9)	8 (30.3)	8 (30.3)	7 (26.5)	6 (22.7)	5 (19.0)	4 (15.2)		
			40					14 (53.1)	13 (49.3)	13 (49.3)	12 (45.5)	12 (45.5)	11 (41.7)	11 (41.7)	10 (37.9)	10 (37.9)	9 (34.1)	8 (30.3)	7 (26.5)	6 (22.7)	5 (19.0)	4 (15.2)					
			50				14 (53.1)	13 (49.3)	13 (49.3)	12 (45.5)	12 (45.5)	12 (45.5)	11 (41.7)	11 (41.7)	10 (37.9)	10 (37.9)	9 (34.1)	8 (30.3)	7 (26.5)	6 (22.7)	5 (19.0)	4 (15.2)					
			60		14 (53.1)	13 (49.3)	13 (49.3)	13 (49.3)	12 (45.5)	12 (45.5)	11 (41.7)	11 (41.7)	11 (41.7)	10 (37.9)	10 (37.9)	9 (34.1)	8 (30.3)	7 (26.5)	6 (22.7)	5 (19.0)	4 (15.2)						
			80	13 (49.3)	13 (49.3)	13 (49.3)	12 (45.5)	12 (45.5)	11 (41.7)	11 (41.7)	11 (41.7)	10 (37.9)	10 (37.9)	9 (34.1)	8 (30.3)	7 (26.5)	6 (22.7)	5 (19.0)	4 (15.2)								
Shut-Off PSI				257	248	240	231	222	214	205	197	188	179	162	153	136	110	93	75	41	32						

NOTE: Performance shown does not include friction loss in the drop pipe; all performance data is based on rated motor nameplate voltage

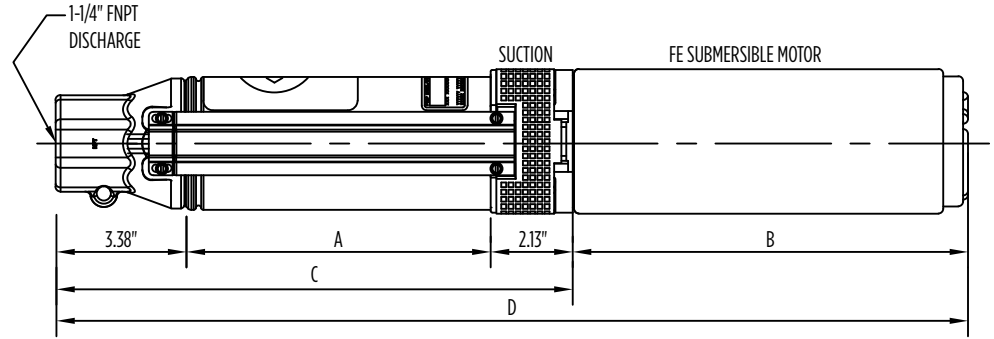
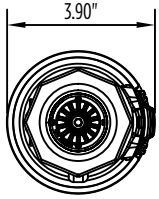
4" SUBMERSIBLE WELL PUMPS

LittleGIANT®

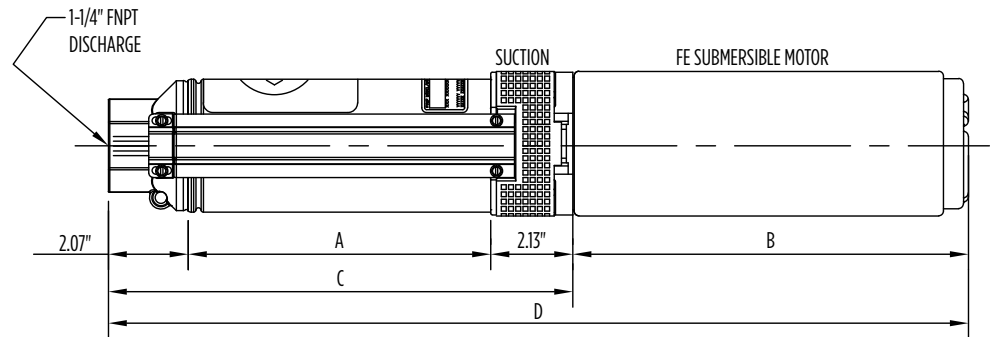
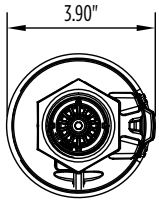
MENU

12 GPM

ENGINEERING DATA



Item No.	Model	Dimension "A"	Dimension "B"	Dimension "C"	Dimension "D"
558557	W8G05S9-21P	8.79" (22.3 cm)	9.51" (24.1 cm)	14.3" (36.3 cm)	23.81" (60.6 cm)
558558	W8G05S9-22P	8.79" (22.3 cm)	9.51" (24.1 cm)	14.3" (36.3 cm)	23.81" (60.6 cm)
558561	W8G05S9-32P	8.79" (22.3 cm)	9.51" (24.1 cm)	14.3" (36.3 cm)	23.81" (60.6 cm)
558559	W8G07S12-22P	11.14" (28.3 cm)	10.64" (27.0 cm)	16.65" (42.3 cm)	27.29" (69.3 cm)
558562	W8G07S12-32P	11.14" (28.3 cm)	10.64" (27.0 cm)	16.65" (42.3 cm)	27.29" (69.3 cm)
558560	W8G10S15-22P	13.49" (34.2 cm)	11.73" (29.8 cm)	19.00" (48.3 cm)	30.73" (78.0 cm)
558563	W8G10S15-32P	13.49" (34.2 cm)	11.73" (29.8 cm)	19.00" (48.3 cm)	30.73" (78.0 cm)



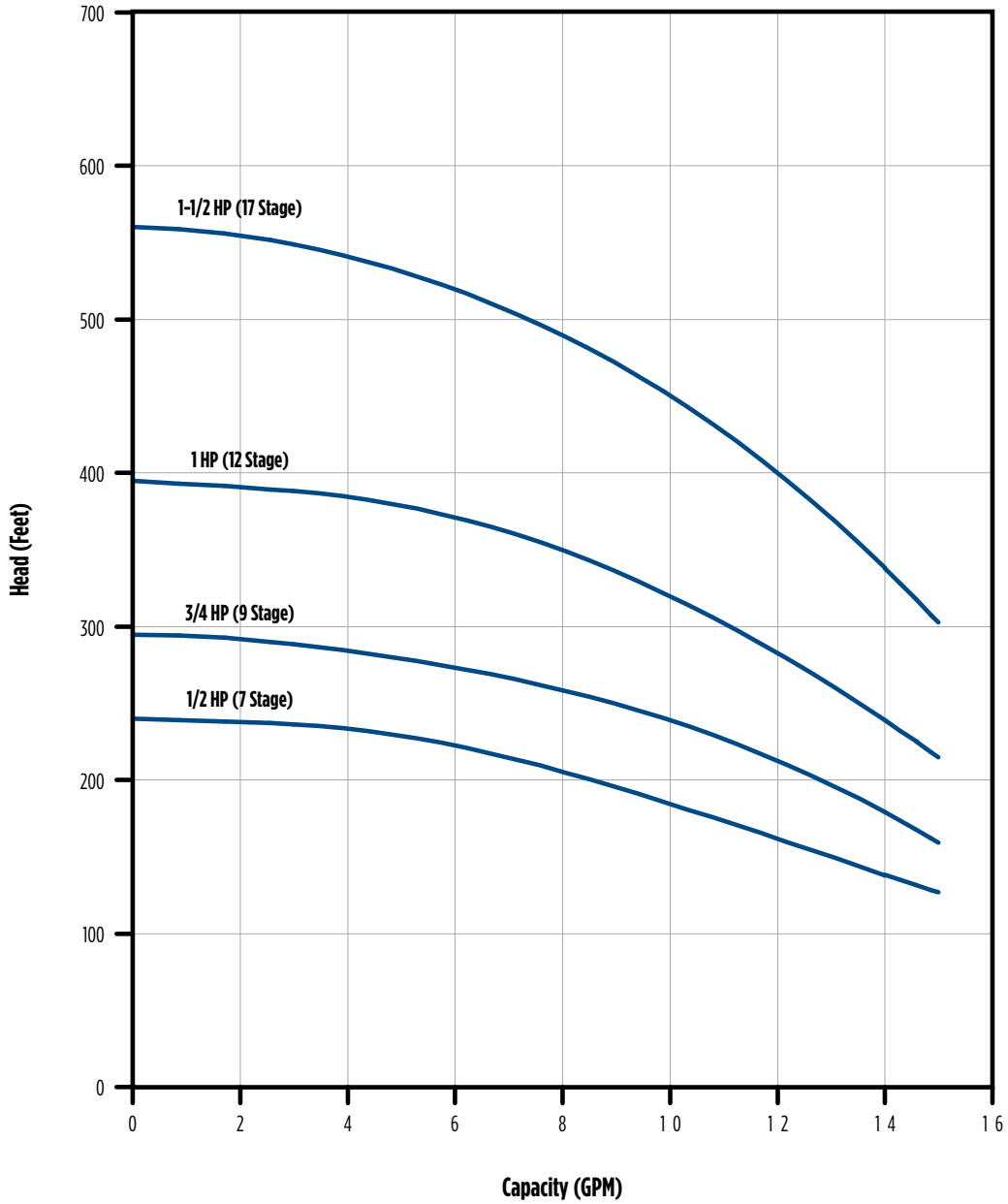
Item No.	Model	Dimension "A"	Dimension "B"	Dimension "C"	Dimension "D"
558581	W8G05S9-21S	10.42" (26.57 cm)	9.51" (24.2 cm)	14.62" (37.1 cm)	24.13" (61.3 cm)
558582	W8G05S9-22S	10.42" (26.57 cm)	9.51" (24.2 cm)	14.62" (37.1 cm)	24.13" (61.3 cm)
558585	W8G05S9-32S	10.42" (26.57 cm)	9.51" (24.2 cm)	14.62" (37.1 cm)	24.13" (61.3 cm)
558583	W8G07S12-22S	12.77" (32.4 cm)	10.64" (27.0 cm)	16.97" (43.1 cm)	26.61" (67.5 cm)
558586	W8G07S12-32S	12.77" (32.4 cm)	10.64" (27.0 cm)	16.97" (43.1 cm)	26.61" (67.5 cm)
558584	W8G10S15-22S	15.12" (38.4 cm)	11.73" (29.8 cm)	19.32" (49.1 cm)	31.05" (78.9 cm)
558587	W8G10S15-32S	15.12" (38.4 cm)	11.73" (29.8 cm)	19.32" (49.1 cm)	31.05" (78.9 cm)

4" SUBMERSIBLE WELL PUMPS

MENU

12 GPM

PERFORMANCE DATA



16 GPM

APPLICATIONS

- For both new installs and replacement applications where water must be transferred under pressure from wells, cisterns, ponds, lakes, and streams

FEATURES

- 1/2 hp to 1-1/2 hp single-phase motors
- Removable suction screen prevents debris from clogging impellers and provides full-flow performance
- Hex rubber bearing has multi-flow channels to keep small particles away from bearing surface
- Built-in Flomatic™ check valve assembly provides positive seal, preventing system drain-back
- Stainless steel bearing sleeve
- Acetal disk facilitates close tolerances for increased performance
- Stainless steel up-thrust washer prevents excessive wear in severe applications
- Two-year limited warranty



SERIES SPECIFICATIONS

Thermoplastic Discharge									
Item No.	Model	HP	Stages	Volts	Wire	Shut-Off ft (m)	Weight lbs (kg)	Quick Disconnect Control Box (QD)	Capacitor Run Control Box (CRC)
558601	W16G07S8-22P	3/4	8	230	2	220 (67.1 m)	28 (12.7)	-	-
558602	W16G07S8-32P	3/4	8	230	3	220 (67.1 m)	27 (12.2)	2801074915	2824075015
558603	W16G10S10-22P	1	10	230	2	280 (85.3 m)	31 (14.1)	-	-
558604	W16G10S10-32P	1	10	230	3	280 (85.3 m)	30 (13.6)	2801084915	2824085015
558605	W16G15S13-22P	1-1/2	13	230	2	369 (112.5 m)	40 (18.1)	-	-
558606	W16G15S13-32P	1-1/2	13	230	3	369 (112.5 m)	39 (17.7)	-	2823008110
Pump End Only									
558410	W16G07S8-PEP	3/4	-	-	-	-	7 (3.2)	-	-
558411	W16G10S10-PEP	1	-	-	-	-	7 (3.2)	-	-
558412	W16G15S13-PEP	1-1/2	-	-	-	-	10 (4.5)	-	-

Stainless Steel Discharge									
Item No.	Model	HP	Stages	Volts	Wire	Shut-Off ft (m)	Weight lbs (kg)	Quick Disconnect Control Box (QD)	Capacitor Run Control Box (CRC)
558607	W16G07S8-22S	3/4	8	230	2	220 (67.1 m)	28 (12.7)	-	-
558608	W16G07S8-32S	3/4	8	230	3	220 (67.1 m)	27 (12.2)	2801074915	2824075015
558609	W16G10S10-22S	1	10	230	2	280 (85.3 m)	31 (14.1)	-	-
558610	W16G10S10-32S	1	10	230	3	280 (85.3 m)	20 (9.07)	2801084915	2824085015
558611	W16G15S13-22S	1-1/2	13	230	2	369 (112.5 m)	40 (18.1)	-	-
558612	W16G15S13-32S	1-1/2	13	230	3	369 (112.5 m)	39 (17.7)	-	2823008110
Pump End Only									
55840	W16G07S8-PES	3/4	-	-	-	-	8 (3.6)	-	-
558461	W16G10S10-PES	1	-	-	-	-	8 (3.6)	-	-
558462	W16G15S13-PES	1-1/2	-	-	-	-	11 (5.0)	-	-

4" SUBMERSIBLE WELL PUMPS



16 GPM

CAPACITIES IN GPM (LPM)

Model	HP	PSI	Depth to Pumping Water Level in ft (m)																Shut-Off ft (m)			
			20 (6.1)	40 (12.2)	60 (18.3)	80 (24.4)	100 (30.1)	120 (36.6)	140 (42.7)	160 (48.8)	180 (54.9)	200 (61)	240 (73.2)	260 (79.3)	300 (91.4)	360 (109.8)	400 (121.9)	440 (134.1)		480 (146.3)	500 (152.4)	
W16G07S10	3/4	0				20 (75.8)	19 (72.0)	18 (68.2)	16 (60.6)	15 (56.9)	13 (49.3)	11 (41.7)										257 (78.3)
		20		20 (75.8)	19 (72.0)	17 (64.4)	16 (60.6)	14 (53.1)	12 (45.5)	10 (37.9)	7 (26.5)											
		30	20 (75.8)	18 (68.2)	17 (64.4)	16 (60.6)	14 (53.1)	12 (45.5)	10 (37.9)	6 (22.7)												
		40	18 (68.2)	17 (64.4)	15 (56.9)	14 (53.1)	12 (45.5)	9 (34.1)	6 (22.7)													
		50	17 (64.4)	15 (56.9)	13 (49.3)	11 (41.7)	9 (34.1)	5 (19.0)														
		60	15 (56.9)	13 (49.3)	11 (41.7)	8 (30.3)	4 (15.2)															
		80	10 (37.9)	7 (26.5)																		
Shut-Off PSI				103	94	85	77	68	59	51	42	33	25									
W16G10S10	1	0					20 (75.8)	19 (72.0)	18 (68.2)	17 (64.4)	16 (60.6)	15 (56.9)	13 (49.3)	11 (41.7)	7 (26.5)							343 (104.6)
		20			20 (75.8)	19 (72.0)	18 (68.2)	17 (64.4)	16 (60.6)	15 (56.9)	14 (53.1)	12 (45.5)	9 (34.1)	6 (22.7)								
		30	20 (75.8)	20 (75.8)	19 (72.0)	18 (68.2)	17 (64.4)	16 (60.6)	15 (56.9)	14 (53.1)	12 (45.5)	10 (37.9)	6 (22.7)									
		40	19 (72.0)	19 (72.0)	18 (68.2)	17 (64.4)	16 (60.6)	15 (56.9)	13 (49.3)	12 (45.5)	10 (37.9)	8 (30.3)										
		50	18 (68.2)	18 (68.2)	17 (64.4)	16 (60.6)	14 (53.1)	13 (49.3)	12 (45.5)	10 (37.9)	8 (30.3)	5 (19.0)										
		60	17 (64.4)	16 (60.6)	15 (56.9)	14 (53.1)	13 (49.3)	11 (41.7)	10 (37.9)	7 (26.5)	4 (15.2)											
		80	15 (56.9)	14 (53.1)	12 (45.5)	11 (41.7)	9 (34.1)	6 (22.7)														
Shut-Off PSI				140	131	123	114	105	97	88	79	71	62	45	36	19						
W16G15S13	1-1/2	0						20 (75.8)	20 (75.8)	19 (72.0)	19 (72.0)	18 (68.2)	17 (64.4)	16 (60.6)	14 (53.1)	11 (41.7)	8 (30.3)	4 (15.2)				467 (142.3)
		20				20 (75.8)	20 (75.8)	19 (72.0)	18 (68.2)	18 (68.2)	17 (64.4)	16 (60.6)	15 (56.9)	14 (53.1)	12 (45.5)	7 (26.5)						
		30			20 (75.8)	20 (75.8)	19 (72.0)	18 (68.2)	18 (68.2)	17 (64.4)	16 (60.6)	15 (56.9)	14 (53.1)	13 (49.3)	10 (37.9)	5 (19.0)						
		40		20 (75.8)	19 (72.0)	19 (72.0)	18 (68.2)	18 (68.2)	17 (64.4)	16 (60.6)	15 (56.9)	15 (56.9)	13 (49.3)	11 (41.7)	9 (34.1)							
		50	20 (75.8)	19 (72.0)	19 (72.0)	18 (68.2)	17 (64.4)	17 (64.4)	16 (60.6)	15 (56.9)	14 (53.1)	13 (49.3)	11 (41.7)	10 (37.9)	7 (26.5)							
		60	19 (72.0)	19 (72.0)	18 (68.2)	17 (64.4)	17 (64.4)	16 (60.6)	15 (56.9)	14 (53.1)	13 (49.3)	12 (45.5)	10 (37.9)	8 (30.3)	4 (15.2)							
		80	18 (68.2)	17 (64.4)	16 (60.6)	16 (60.6)	15 (56.9)	14 (53.1)	13 (49.3)	12 (45.5)	11 (41.7)	9 (34.1)	6 (22.7)									
Shut-Off PSI				193	185	176	167	159	150	141	133	124	115	98	89	72	46	29	11			

NOTE: Performance shown does not include friction loss in the drop pipe; all performance data is based on rated motor nameplate voltage

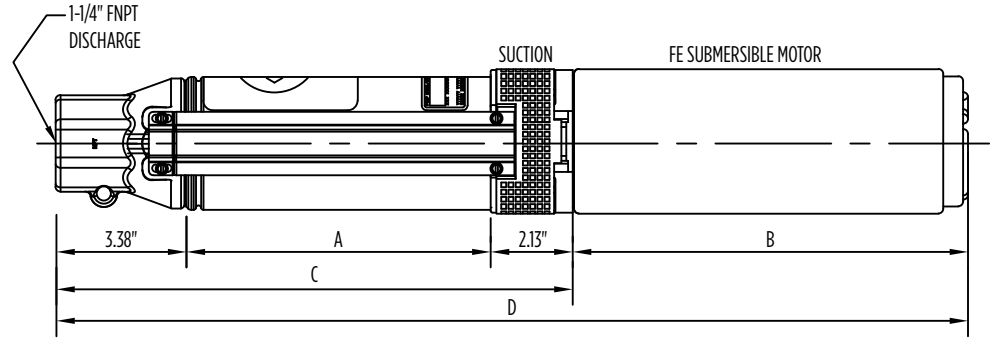
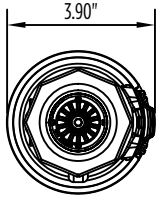
4" SUBMERSIBLE WELL PUMPS

LittleGIANT®

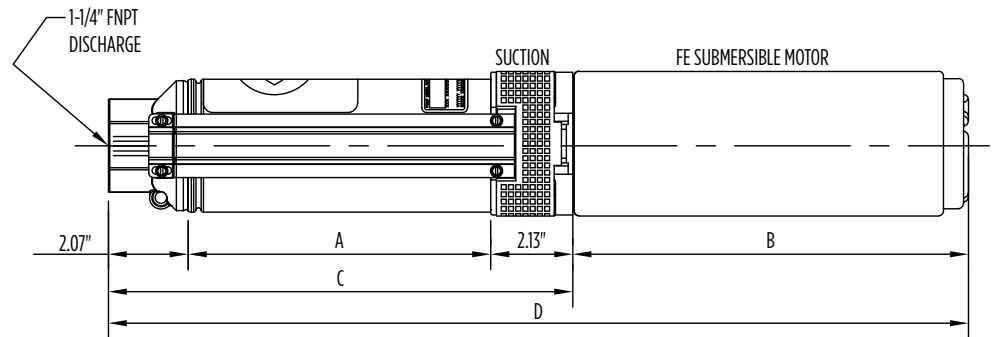
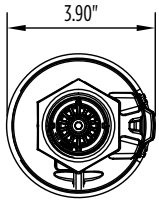
MENU

16 GPM

ENGINEERING DATA



Item No.	Model	Dimension "A"	Dimension "B"	Dimension "C"	Dimension "D"
558601	W16G07S8-22P	10.61" (27.0 cm)	10.64" (27.0 cm)	16.12" (40.9 cm)	26.76" (68.0 cm)
558602	W16G07S8-32P	10.61" (27.0 cm)	10.64" (27.0 cm)	16.12" (40.9 cm)	26.76" (68.0 cm)
558603	W16G10S10-22P	12.83" (32.6 cm)	11.73" (29.8 cm)	18.34" (46.6 cm)	30.07" (76.4 cm)
558604	W16G10S10-32P	12.83" (32.6 cm)	11.73" (29.8 cm)	18.34" (46.6 cm)	30.07" (76.4 cm)
558605	W16G15S13-22P	16.15" (41.0 cm)	15.1" (38.4 cm)	21.66" (55.0 cm)	36.76" (93.4 cm)
558606	W16G15S13-32P	16.15" (41.0 cm)	15.1" (38.4 cm)	21.66" (55.0 cm)	35.26" (89.6 cm)



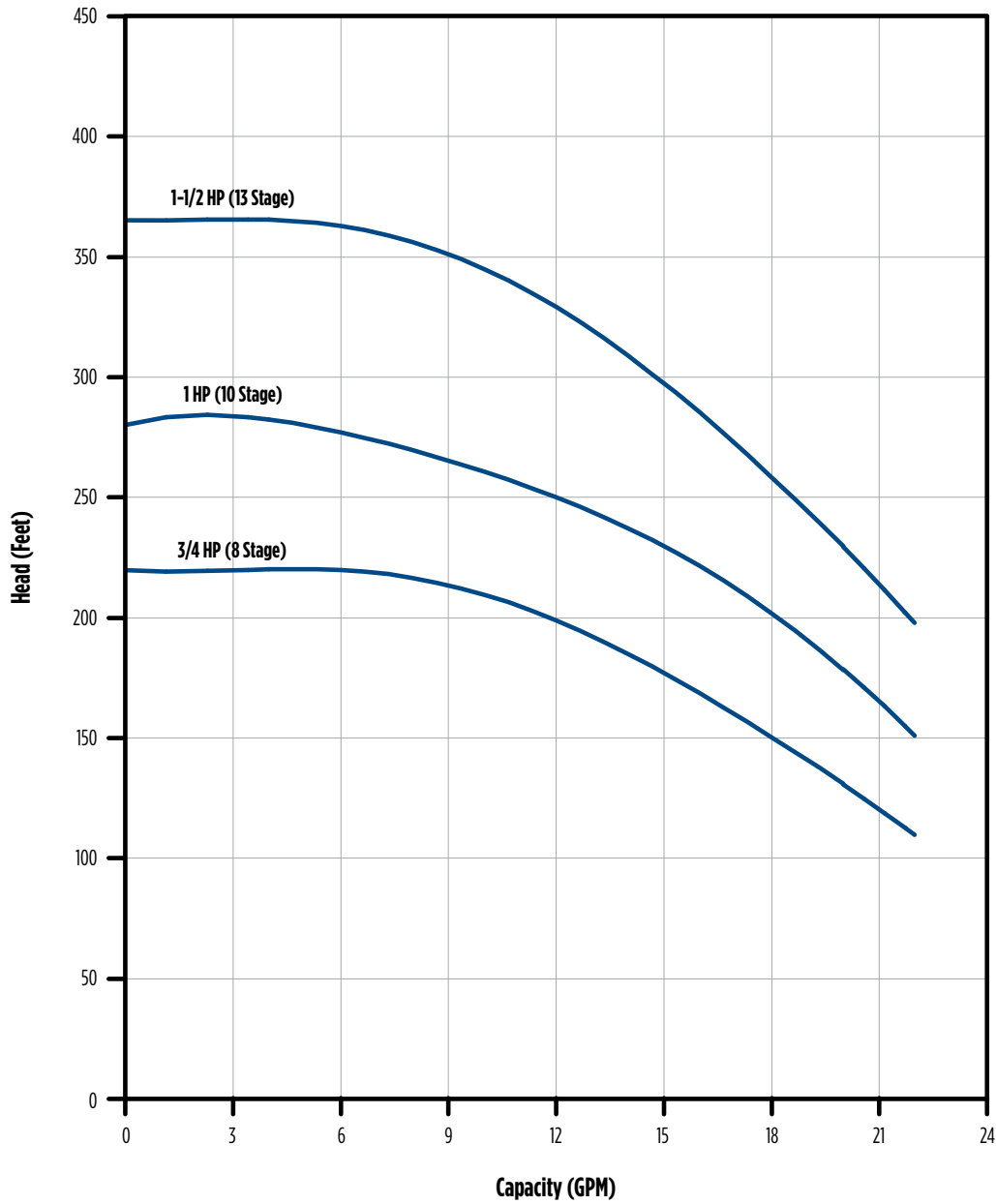
Item No.	Model	Dimension "A"	Dimension "B"	Dimension "C"	Dimension "D"
558607	W16G07S8-22S	12.24 (31.1)	10.64 (27.00)	16.44 (41.8)	27.08 (68.8)
558608	W16G07S8-32S	12.24 (31.1)	10.64 (27.00)	16.44 (41.8)	27.08 (68.8)
558609	W16G10S10-22S	14.46 (36.7)	11.73 (29.8)	18.66 (47.4)	30.39 (77.2)
558610	W16G10S10-32S	14.46 (36.7)	11.73 (29.8)	18.66 (47.4)	30.39 (77.2)
558611	W16G15S13-22S	17.78 (45.2)	15.1 (38.4)	21.98 (55.8)	37.08 (94.2)
558612	W16G15S13-32S	17.78 (45.2)	15.1 (38.4)	21.98 (55.8)	37.08 (94.2)

4" SUBMERSIBLE WELL PUMPS

MENU

16 GPM

PERFORMANCE DATA



22 GPM

APPLICATIONS

- For both new installs and replacement applications where water must be transferred under pressure from wells, cisterns, ponds, lakes, and streams

FEATURES

- 3/4 hp to 1-1/2 hp single-phase motors
- Removable suction screen prevents debris from clogging impellers and provides full-flow performance
- Hex rubber bearing has multi-flow channels to keep small particles away from bearing surface
- Built-in Flomatic™ check valve assembly provides positive seal, preventing system drain-back
- Stainless steel bearing sleeve
- Acetal disk facilitates close tolerances for increased performance
- Stainless steel up-thrust washer prevents excessive wear in severe applications
- Two-year limited warranty



SERIES SPECIFICATIONS

Thermoplastic Discharge									
Item No.	Model	HP	Stages	Volts	Wire	Shut-Off (ft)	Weight lbs (kg)	Quick Disconnect Control Box (QD)	Capacitor Run Control Box (CRC)
558613	W22G07S5-22P	3/4	5	230	2	153 (46.6 m)	27 (12.2)	-	-
558614	W22G07S5-32P	3/4	5	230	3	153 (46.6 m)	27 (12.2)	2801074915	2824075015
558573	W22G10S7-22P	1	7	230	2	212 (64.6 m)	30 (13.6)	-	-
558574	W22G10S7-32P	1	7	230	3	212 (64.6 m)	33 (15.0)	2801084915	2824085015
558538	W22G15S9-22P	1-1/2	9	230	2	280 (85.3 m)	40 (18.1)	-	-
558539	W22G15S9-32P	1-1/2	9	230	3	280 (85.3 m)	39 (17.7)	-	2823008110
Pump End Only									
558413	W22G07S5-PEP	3/4	-	-	-	-	6 (2.7)	-	-
558414	W22G10S7-PEP	1	-	-	-	-	7 (3.2)	-	-
558415	W22G15S9-PEP	1-1/2	-	-	-	-	8 (3.6)	-	-
Stainless Steel Discharge									
Item No.	Model	HP	Stages	Volts	Wire	Shut-Off (ft)	Weight lbs (kg)	Quick Disconnect Control Box (QD)	Capacitor Run Control Box (CRC)
558615	W22G07S5-22S	3/4	5	230	2	153 (46.6 m)	27 (12.2)	-	-
558616	W22G07S5-32S	3/4	5	230	3	153 (46.6 m)	27 (12.2)	2801074915	2824075015
558597	W22G10S7-22S	1	7	230	2	212 (64.6 m)	30 (13.6)	-	-
558598	W22G10S7-32S	1	7	230	3	212 (64.6 m)	33 (15.0)	2801084915	2824085015
558548	W22G15S9-22S	1-1/2	9	230	2	280 (85.3 m)	40 (18.1)	-	-
558549	W22G15S9-32S	1-1/2	9	230	3	280 (85.3 m)	39 (17.7)	-	2823008110
Pump End Only									
558463	W22G07S5-PES	3/4	-	-	-	-	7 (3.2)	-	-
558464	W22G10S7-PES	1	-	-	-	-	8 (3.6)	-	-
558465	W22G15S9-32S	1-1/2	-	-	-	-	9 (4.1)	-	-
558522	W22G20S11-PE	2	-	-	-	-	12 (5.4)	-	-

4" SUBMERSIBLE WELL PUMPS



22 GPM

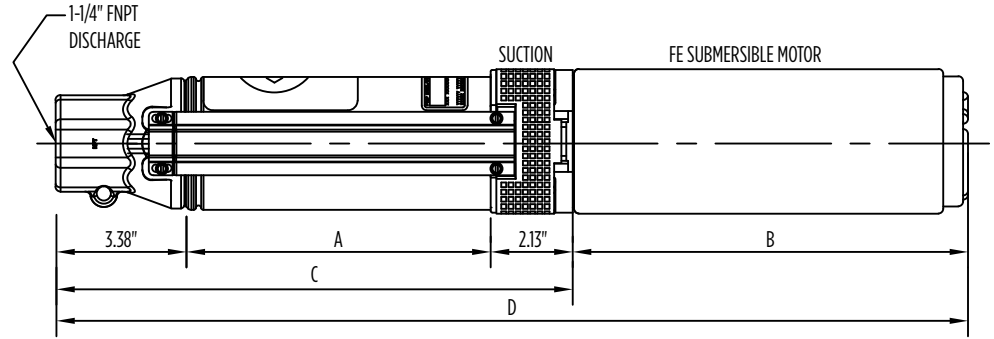
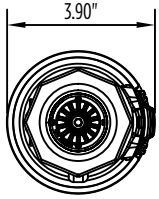
CAPACITIES IN GPM (LPM)

Model	HP	Stage	PSI	Depth to Pumping Water Level in ft (m)												Shut-Off ft (m)		
				20 (6.1)	40 (12.2)	60 (18.3)	80 (24.4)	100 (30.1)	120 (36.6)	140 (42.7)	160 (48.8)	180 (54.9)	200 (61)	240 (73.2)	250 (76.2)		300 (91.4)	
W22G07S5	3/4	5	0				24 (91.0)	22 (83.4)	21 (79.6)	18 (68.2)	14 (53.1)							190 (58.0)
			20		23 (87.2)	21 (79.6)	19 (72.0)	17 (64.4)	12 (45.5)									
			30	23 (87.2)	21 (79.6)	19 (72.0)	17 (64.4)	11 (41.7)										
			40	21 (79.6)	19 (72.0)	17 (64.4)	10 (37.9)											
			50	19 (72.0)	16 (60.6)	10 (37.9)												
			60	14 (53.1)														
Shut-Off PSI				74	65	56	48	39	30	22	13							
W22G10S7	1	7	0							27 (102.3)	23 (87.2)	19 (72.0)	14 (53.1)				215 (65.5)	
			10						26 (98.5)	23 (87.2)	18 (68.2)	13 (49.3)						
			20					26 (98.5)	22 (83.4)	18 (68.2)	11 (41.7)							
			30				25 (94.8)	21 (79.6)	17 (64.4)	9 (34.1)								
			40			25 (94.8)	20 (75.8)	16 (60.6)										
			50	27 (102.3)	24 (91.0)	20 (75.8)	16 (60.6)											
			60	24 (91.0)	19 (72.0)	15 (56.9)												
			70	19 (72.0)	13 (49.3)													
			80	12 (45.5)														
Shut-Off PSI				84	76	67	58	50	41	32	24	15	6					
W22G15S9	1-1/2	9	0								27 (102.3)	25 (94.8)	23 (87.2)	15 (56.9)			280 (85.3)	
			10							27 (102.3)	25 (94.8)	23 (87.2)	20 (75.8)	7 (26.5)				
			20						26 (98.5)	24 (91.0)	22 (83.4)	19 (72.0)	15 (56.9)	9 (34.1)				
			30					26 (98.5)	24 (91.0)	21 (79.6)	18 (68.2)	14 (53.1)	7 (26.5)					
			40				26 (98.5)	24 (91.0)	21 (79.6)	18 (68.2)	14 (53.1)							
			50			26 (98.5)	24 (91.0)	21 (79.6)	18 (68.2)	13 (49.3)								
			60	27 (102.3)	26 (98.5)	23 (87.2)	20 (75.8)	17 (64.4)	13 (49.3)									
			70	25 (94.8)	23 (87.2)	20 (75.8)	17 (64.4)	12 (45.5)										
			80	22 (83.4)	19 (72.0)	16 (60.6)	11 (41.7)											
			90	19 (72.0)	15 (56.9)	9 (34.1)												
			100	15 (56.9)	8 (30.3)													
			110	6 (22.7)														
Shut-Off PSI				113	104	95	87	78	69	61	52	43	35	13				

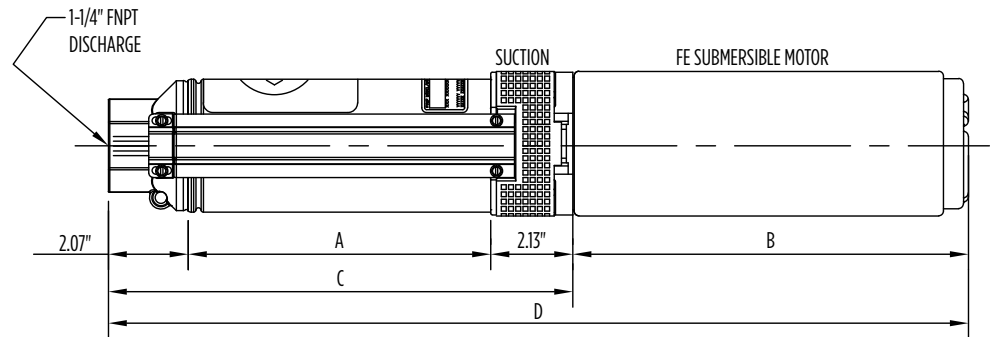
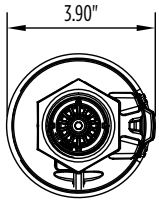
NOTE: Performance shown does not include friction loss in the drop pipe; all performance data is based on rated motor nameplate voltage

22 GPM

ENGINEERING DATA



Item No.	Model	Dimension "A"	Dimension "B"	Dimension "C"	Dimension "D"
558613	W22G07S5-22P	7.28" (18.5 cm)	10.64" (27.0 cm)	12.79" (32.5 cm)	23.43" (59.5 cm)
558614	W22G07S5-32P	7.28" (18.5 cm)	10.64" (27.0 cm)	12.79" (32.5 cm)	23.43" (59.5 cm)
558573	W22G10S7-22P	9.5" (24.1 cm)	11.73" (29.8 cm)	15.01" (38.1 cm)	26.74" (68. cm)
558574	W22G10S7-32P	9.5" (24.1 cm)	11.73" (29.8 cm)	15.01" (38.1 cm)	26.74" (68. cm)
558538	W22G15S9-22P	11.72" (29.8 cm)	13.6" (34.5 cm)	17.23" (43.8 cm)	30.83" (78.3 cm)
558539	W22G15S9-32P	11.72" (29.8 cm)	13.6" (34.5 cm)	17.23" (43.8 cm)	30.83" (78.3 cm)



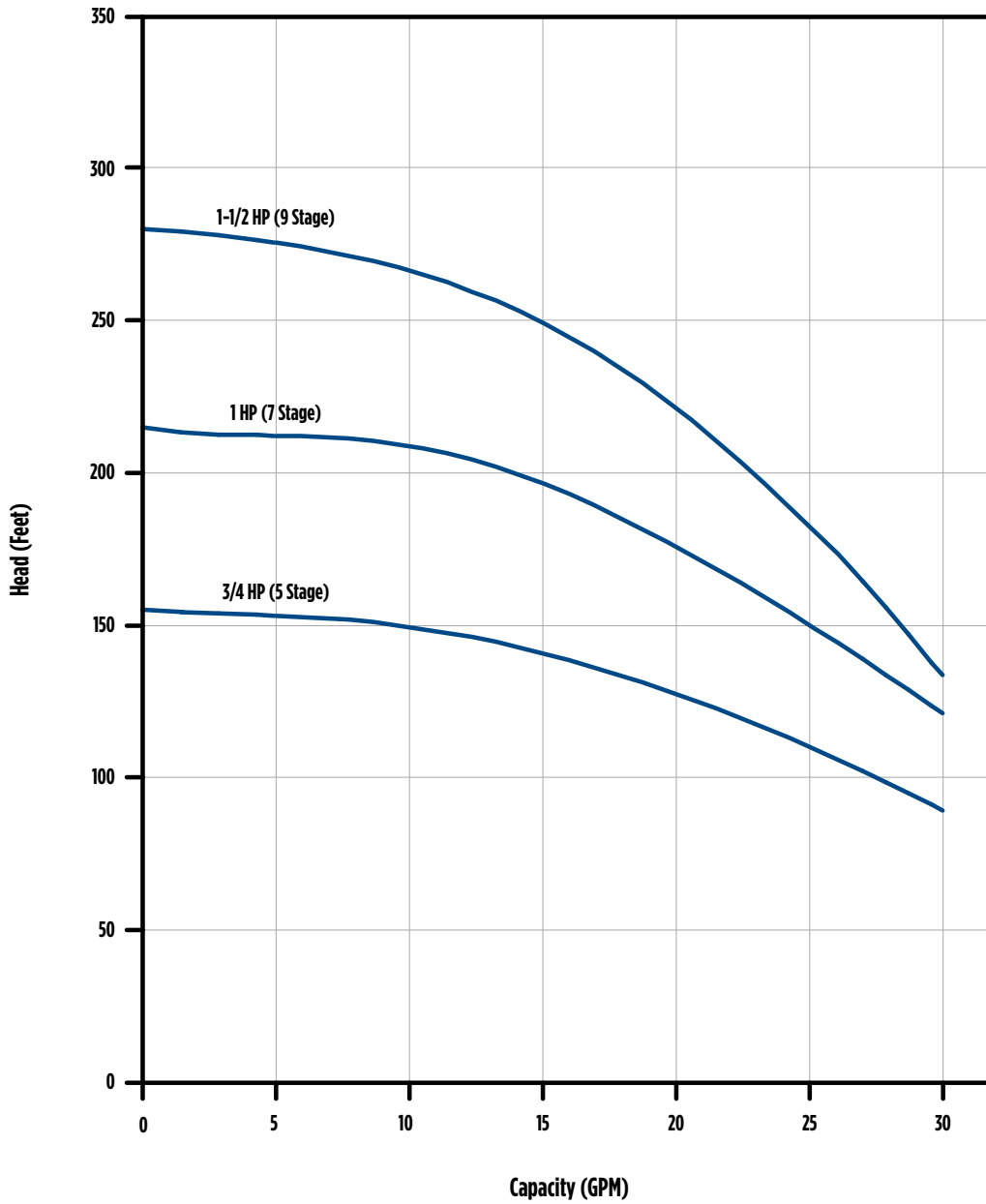
Item No.	Model	Dimension "A"	Dimension "B"	Dimension "C"	Dimension "D"
558615	W22G07S5-22S	8.91 (22.63)	10.64 (27.0)	13.11 (33.3)	23.75 (60.3)
558616	W22G07S5-32S	8.91 (22.63)	10.64 (27.0)	13.11 (33.3)	23.75 (60.3)
558597	W22G10S7-22S	11.13 (28.3)	11.73 (29.8)	15.33 (39.0)	27.06 (68.7)
558598	W22G10S7-32S	11.13 (28.3)	11.73 (29.8)	15.33 (39.0)	27.06 (68.7)
558548	W22G15S9-22S	13.35 (34.0)	15.1 (38.4)	17.55 (44.6)	32.65 (83.0)
558549	W22G15S9-32S	13.35 (34.0)	13.6 (34.5)	17.55 (44.6)	32.65 (83.0)

4" SUBMERSIBLE WELL PUMPS

MENU

22 GPM

PERFORMANCE DATA



35 GPM

APPLICATIONS

- For both new installs and replacement applications where water must be transferred under pressure from wells, cisterns, ponds, lakes, and streams

FEATURES

- Stainless steel discharge head and motor bracket
- High flow impellers and stages are glass-filled "Modified PPO" for maximum efficiency
- Ceramic shaft sleeve and rubber discharge bearing eliminates sand wear
- Intermediate bearing for increased shaft stability
- Floating eye and hub seals for improved performance and efficiency
- Stainless steel hex pump shaft, shell and shaft coupling
- Powered by Franklin's corrosion-resistant 4" submersible motors
- 2" NPT discharge
- Check valve must be ordered separately

SERIES SPECIFICATIONS

Stainless Steel Discharge Pump End Only						
Item No.	Model	HP	Stages	Shut-Off ft (m)	Dimensions Pump End Only	Weight lbs (kg)
558523	W35G10S06-PE	1	6	171 (52.1)	15.0" (38.1 cm)	9 (4.1)
558524	W35G15S08-PE	1-1/2	8	226 (68.9)	17.5" (44.5 cm)	10 (4.5)
558525	W35G20S10-PE	2	10	288 (87.8)	20.0" (50.1 cm)	11 (5.0)
558526	W35G30S14-PE	3	14	396 (120.7)	25.0" (63.5 cm)	13 (5.9)
558527	W35G50S22-PE	5	22	638 (194.5)	35.0" (89 cm)	17 (7.7)

NOTE: All lengths are in inches. Discharge is 2" NPT; maximum diameter with cable guard is 3.90" (9.9 cm)



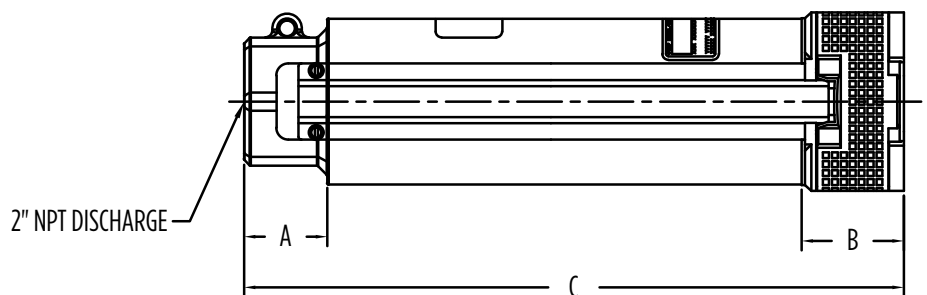
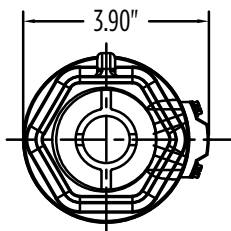
35 GPM

CAPACITIES IN GPM (LPM) - CONT.

Model	HP	Stage	PSI	Depth to Pumping Water Level in ft (m)																		Shut-Off ft (m)	
				20 (6.1)	40 (12.2)	60 (18.3)	80 (24.4)	100 (30.1)	120 (36.6)	140 (42.7)	160 (48.8)	180 (54.9)	200 (61)	250 (76.2)	300 (91.4)	350 (106.7)	400 (121.9)	450 (146.3)	500 (152.4)	550 (167.6)	600 (182.8)		650 (198.1)
W35G30S14-PE	3	14	0					45 (170.6)	44 (166.8)	42 (159.2)	41 (155.4)	38 (144.0)	32 (121.3)	28 (106.1)	18 (68.2)							396 (120.7)	
			10				45 (170.6)	44 (166.8)	42 (159.2)	40 (151.6)	38 (144.0)	36 (136.4)	29 (109.9)	23 (87.2)	12 (45.5)								
			20			45 (170.6)	44 (166.8)	42 (159.2)	40 (151.6)	38 (144.0)	35 (132.7)	33 (125.1)	27 (102.3)	19 (72.0)									
			30		45 (170.6)	43 (163.0)	42 (159.2)	40 (151.6)	37 (140.2)	35 (132.7)	32 (121.3)	30 (113.7)	24 (91.0)	13 (49.3)									
			40	44 (166.8)	43 (163.0)	41 (155.4)	39 (147.8)	37 (140.2)	34 (128.9)	32 (121.3)	29 (109.9)	27 (102.3)	20 (75.8)										
			50	44 (166.8)	43 (163.0)	41 (155.4)	39 (147.8)	37 (140.2)	34 (128.9)	32 (121.3)	29 (109.9)	27 (102.3)	24 (91.0)	14 (53.1)									
			60	43 (163.0)	41 (155.4)	39 (147.8)	36 (136.4)	34 (128.9)	31 (117.5)	29 (109.9)	26 (98.5)	24 (91.0)	21 (79.6)										
			70	40 (151.6)	38 (144.0)	36 (136.4)	33 (125.1)	31 (117.5)	28 (106.1)	26 (98.5)	23 (87.2)	20 (75.8)	15 (56.9)										
			80	38 (144.0)	35 (132.7)	33 (125.1)	30 (113.7)	28 (106.1)	26 (98.5)	23 (87.2)	19 (56.9)												
Shut-Off PSI				163	154	145	137	128	120	111	102	94	85	63	42	20							
W35G50S22-PE	5	22	0									45 (170.6)	43 (163.0)	40 (151.6)	37 (140.2)	33 (125.1)	30 (113.7)	26 (98.5)	21 (79.6)	12 (45.5)	638 (194.5)		
			10									45 (170.6)	44 (166.8)	42 (159.2)	39 (147.8)	35 (132.7)	32 (121.3)	28 (106.1)	24 (91.0)	18 (68.2)			
			20						45 (170.6)	45 (170.6)	43 (166.8)	40 (151.6)	37 (140.2)	34 (128.9)	31 (113.7)	26 (98.5)	21 (79.6)	13 (49.3)					
			30					45 (170.6)	45 (170.6)	44 (166.8)	43 (163.0)	42 (159.2)	39 (155.4)	35 (140.2)	32 (128.9)	28 (113.7)	24 (102.3)	18 (83.4)					
			40				45 (170.6)	44 (166.8)	43 (166.8)	42 (163.0)	41 (159.2)	40 (151.6)	39 (147.8)	37 (136.4)	34 (128.9)	31 (117.5)	27 (102.3)	22 (83.4)	19 (53.1)				
			50			45 (170.6)	44 (166.8)	43 (166.8)	42 (163.0)	41 (159.2)	40 (151.6)	39 (147.8)	38 (136.4)	36 (121.3)	32 (109.9)	29 (94.8)	25 (72.0)						
			60			45 (170.6)	44 (166.8)	43 (163.0)	42 (159.2)	41 (155.4)	40 (151.6)	39 (147.8)	38 (144.0)	36 (136.4)	32 (121.3)	27 (102.3)	22 (83.4)	15 (56.9)					
			70		45 (170.6)	44 (166.8)	43 (163.0)	42 (159.2)	41 (155.4)	40 (151.6)	39 (147.8)	37 (140.2)	36 (136.4)	32 (121.3)	29 (109.9)	25 (94.8)	19 (72.0)						
			80	45 (170.6)	44 (166.8)	43 (163.0)	42 (159.2)	41 (155.4)	40 (151.6)	38 (140.2)	37 (136.4)	36 (128.9)	34 (117.5)	31 (102.3)	27 (87.2)	23 (56.9)							
Shut-Off PSI				268	259	250	242	233	224	216	207	198	190	168	146	125	103	81	60	38	16		

NOTE: Performance shown does not include friction loss in the drop pipe; all performance data is based on rated motor nameplate voltage

ENGINEERING DATA



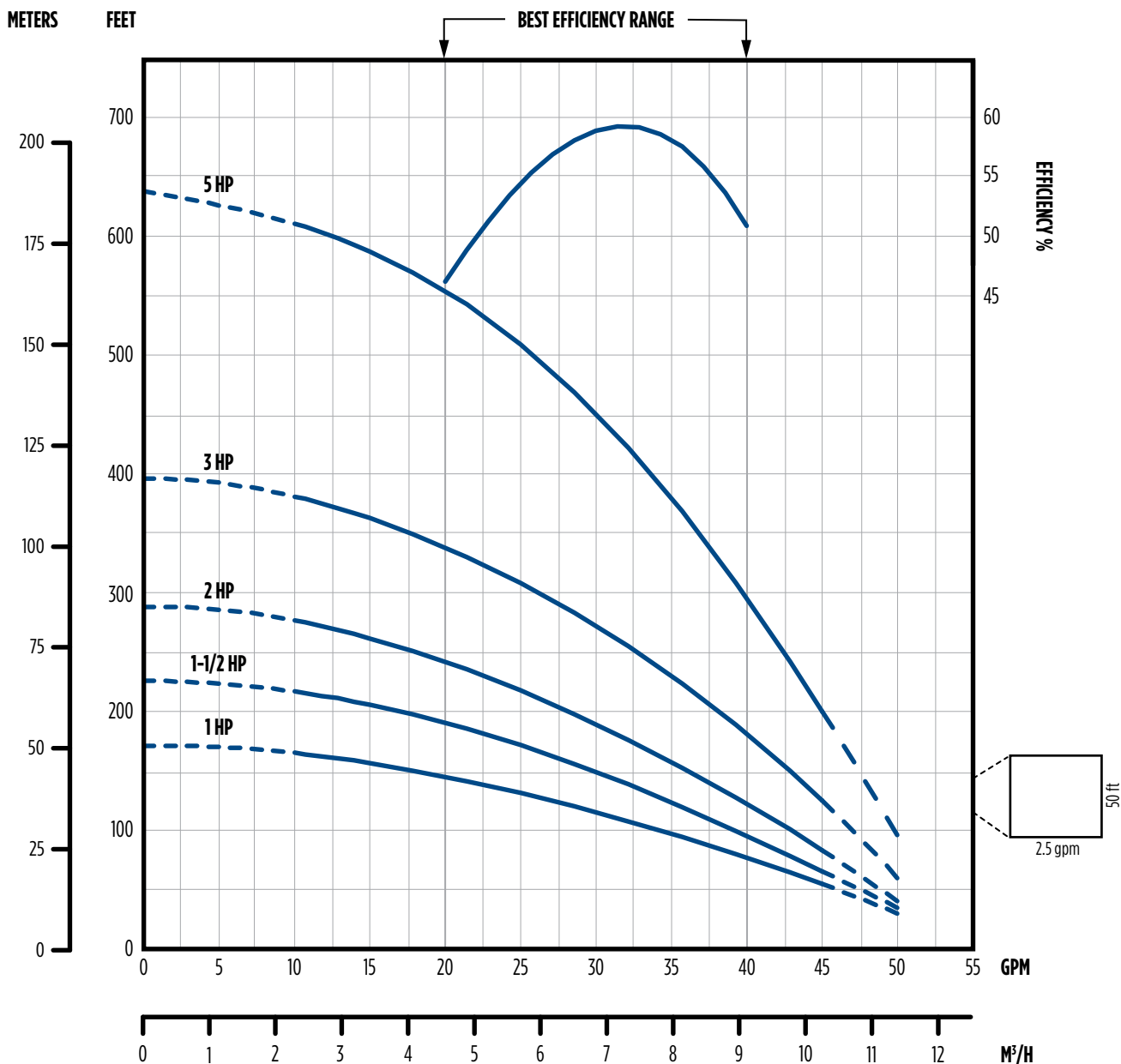
Item No.	Model	Dimension "A"	Dimension "B"	Dimension "C"
558523	W35G10S06-PE	1.75" (4.4 cm)	2.15" (5.5 cm)	15.03" (38.2 cm)
558524	W35G15S08-PE	1.75" (4.4 cm)	2.15" (5.5 cm)	17.55" (44.6 cm)
558525	W35G20S10-PE	1.75" (4.4 cm)	2.15" (5.5 cm)	20.07" (51.0 cm)
558526	W35G30S14-PE	1.75" (4.4 cm)	2.15" (5.5 cm)	25.1" (63.8 cm)
558527	W35G50S22-PE	1.75" (4.4 cm)	2.15" (5.5 cm)	35.16" (89.3 cm)

4" HIGH CAPACITY PUMPS

MENU

35 GPM

PERFORMANCE DATA



60 GPM

APPLICATIONS

- For both new installs and replacement applications where water must be transferred under pressure from wells, cisterns, ponds, lakes, and streams

FEATURES

- Stainless steel discharge head and motor bracket
- High flow impellers and stages are glass-filled "Modified PPO" for maximum efficiency
- Ceramic shaft sleeve and rubber discharge bearing eliminates sand wear
- Intermediate bearing for increased shaft stability
- Floating eye and hub seals for improved performance and efficiency
- Stainless steel hex pump shaft, shell and shaft coupling
- Powered by Franklin's corrosion-resistant 4" submersible motors
- 2" NPT discharge
- Check valve must be ordered separately

SERIES SPECIFICATIONS

Stainless Steel Discharge Pump End Only						
Item No.	Model	HP	Stages	Shut-Off Ft (m)	Dimensions Pump End Only	Weight lbs (Kg)
558528	W60G20S06-PE	2	6	195 (59.4)	21.0" (53.3 cm)	15 (6.8)
558529	W60G30S08-PE	3	8	265 (80.7)	25.47" (64.7 cm)	17 (7.7)
558530	W60G50S13-PE	5	13	425 (129.5)	36.75" (93.3 cm)	21 (9.5)
558531	W60G75S17-PE	7-1/2	17	555 (169.2)	45.25" (115.0 cm)	25 (11.3)

NOTE: Discharge is 2" NPT; maximum diameter with cable guard is 3.90"



4" HIGH CAPACITY PUMPS



60 GPM

CAPACITIES IN GPM (LPM)

Model	HP	Stage	PSI	Depth to Pumping Water Level in ft (m)																Shut-Off ft (m)					
				20 (6.1)	40 (12.2)	60 (18.3)	80 (24.4)	100 (30.1)	120 (36.6)	140 (42.7)	160 (48.8)	180 (54.9)	200 (61)	250 (76.2)	300 (91.4)	350 (106.7)	400 (121.9)	450 (146.3)	500 (152.4)						
W60G20S06-PE	2	6	0				66 (250.1)	57 (216.0)	47 (178.1)	35 (132.7)	21 (79.6)										195 (59.4)				
			10			65 (246.4)	56 (212.2)	45 (170.6)	33 (125.1)	18 (68.2)															
			20	71 (269.1)	63 (238.8)	54 (204.7)	43 (163.0)	30 (113.7)																	
			30	62 (235.0)	52 (197.1)	41 (155.4)	28 (106.1)																		
			40	51 (193.3)	40 (151.6)	26 (98.5)																			
			50	38 (144.0)	24 (91.0)																				
			60	22 (83.4)																					
Shut-Off PSI				76	67	58	50	41	32	24	15														
W60G30S08-PE	3	8	0					70 (265.3)	66 (250.1)	60 (227.4)	53 (200.9)	46 (174.3)	37 (140.2)									265 (80.8)			
			10			69 (261.5)	69 (261.5)	65 (246.4)	59 (223.6)	52 (197.1)	44 (166.8)	35 (132.7)	25 (94.8)												
			20		73 (276.7)	69 (261.5)	64 (242.6)	58 (219.8)	51 (193.3)	43 (163.0)	34 (128.9)	24 (91.0)													
			30	72 (272.9)	68 (257.7)	63 (238.8)	57 (216.0)	50 (189.5)	42 (159.2)	32 (121.3)	22 (83.4)														
			40	67 (253.9)	62 (235.0)	56 (212.2)	49 (185.7)	40 (151.6)	31 (117.5)	20 (75.8)															
			50	61 (231.2)	55 (208.5)	48 (181.9)	39 (147.8)	29 (109.9)																	
			60	54 (204.7)	46 (174.3)	37 (140.2)	28 (106.1)																		
Shut-Off PSI				106	97	89	80	71	63	54	45	37	28												
W60G50S13-PE	5	13	0									71 (269.1)	68 (257.7)	63 (238.8)	56 (212.2)	48 (181.9)	38 (144.0)	27 (102.3)					425 (129.5)		
			10							72 (272.9)	70 (265.3)	68 (257.7)	66 (250.1)	59 (223.6)	52 (197.1)	43 (163.0)	33 (125.1)	22 (83.4)							
			20							72 (272.9)	70 (265.3)	68 (257.7)	65 (246.4)	63 (238.8)	60 (227.4)	43 (163.0)	44 (166.8)	34 (128.9)	23 (87.2)						
			30					71 (269.1)	69 (261.5)	67 (253.9)	65 (246.4)	62 (235.0)	59 (223.6)	56 (212.2)	49 (181.9)	40 (151.6)	30 (113.7)								
			40				71 (269.1)	69 (261.5)	67 (253.9)	64 (242.6)	62 (235.0)	59 (223.6)	56 (212.2)	49 (181.9)	40 (151.6)	30 (113.7)									
			50			71 (269.1)	69 (261.5)	67 (253.9)	64 (242.6)	62 (235.0)	59 (223.6)	56 (212.2)	49 (181.9)	40 (151.6)	30 (113.7)										
			60		71 (269.1)	69 (261.5)	66 (250.1)	64 (242.6)	61 (231.2)	59 (223.6)	56 (212.2)	49 (181.9)	40 (151.6)	30 (113.7)											
			70	70 (265.3)	68 (257.7)	66 (250.1)	64 (242.6)	61 (231.2)	58 (219.8)	55 (208.5)	52 (197.1)	48 (181.9)	45 (170.6)	36 (136.4)	25 (94.8)										
			80	68 (257.7)	66 (250.1)	63 (238.8)	61 (231.2)	58 (219.8)	55 (208.5)	52 (197.1)	48 (181.9)	45 (170.6)	41 (155.4)	31 (117.5)											
			90	65 (246.4)	63 (238.8)	60 (227.4)	57 (216.0)	54 (204.7)	51 (193.3)	48 (181.9)	44 (166.8)	41 (155.4)	37 (140.2)	26 (98.5)											
			100	62 (235.0)	60 (227.4)	57 (216.0)	54 (204.7)	51 (193.3)	47 (178.1)	44 (166.8)	40 (151.6)	36 (136.4)	32 (121.3)	20 (75.8)											
			110	59 (223.6)	57 (216.0)	53 (200.9)	50 (189.5)	47 (178.1)	43 (163.0)	39 (147.8)	35 (132.7)	31 (117.5)	26 (98.5)												
			120	56 (212.2)	53 (200.9)	50 (189.5)	46 (174.3)	43 (163.0)	39 (147.8)	35 (132.7)	30 (113.7)	26 (98.5)	21 (79.6)												
			130	52 (197.1)	49 (185.7)	46 (174.3)	42 (159.2)	38 (144.0)	34 (128.9)	30 (113.7)	25 (94.8)	20 (75.8)													
			140	49 (185.7)	45 (170.6)	41 (155.4)	37 (140.2)	33 (125.1)	29 (109.9)	24 (91.0)															
			150	45 (170.6)	41 (155.4)	37 (140.2)	33 (125.1)	28 (106.1)																	
			160	31 (117.5)	26 (98.5)	21 (79.6)																			
Shut-Off PSI				175	167	158	149	141	132	123	115	106	97	76	54	32									

4" HIGH CAPACITY PUMPS



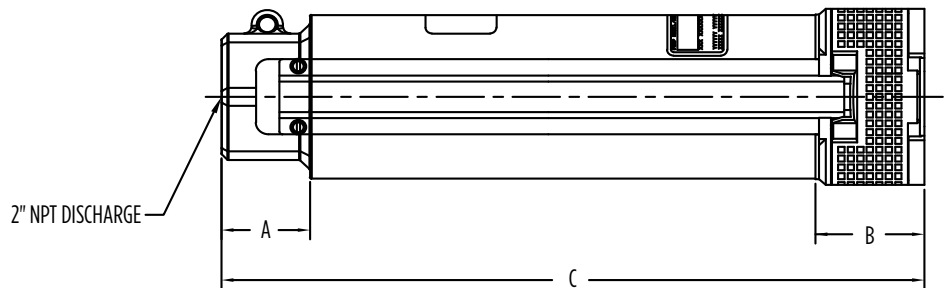
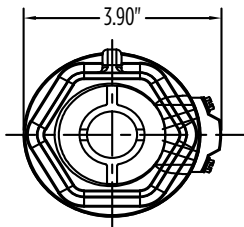
60 GPM

CAPACITIES IN GPM (LPM) - CONT.

Model	HP	Stage	PSI	Depth to Pumping Water Level in ft (m)																Shut-Off ft (m)			
				20 (6.1)	40 (12.2)	60 (18.3)	80 (24.4)	100 (30.1)	120 (36.6)	140 (42.7)	160 (48.8)	180 (54.9)	200 (61)	250 (76.2)	300 (91.4)	350 (106.7)	400 (121.9)	450 (146.3)	500 (152.4)				
W60G75S17-PE	7-1/2	17	0											71 (269.1)	68 (257.7)	63 (238.8)	56 (212.2)	48 (181.9)	38 (144.0)	27 (102.3)	555 (169)		
			10								72 (272.9)	70 (265.3)	68 (257.7)	66 (250.1)	59 (223.6)	52 (197.1)	43 (163.0)	33 (125.1)	22 (83.4)				
			20							72 (272.9)	70 (265.3)	67 (253.9)	65 (246.4)	63 (238.8)	60 (227.4)	53 (200.9)	44 (166.8)	34 (128.9)	23 (87.2)				
			30						71 (269.1)	69 (261.5)	67 (253.9)	65 (246.4)	62 (235.0)	60 (227.4)	57 (216.0)	49 (185.7)	40 (151.6)	29 (109.9)					
			40			71 (269.1)	69 (261.5)	67 (253.9)	64 (242.6)	61 (231.2)	59 (223.6)	56 (212.2)	53 (200.9)	49 (185.7)	40 (151.6)	30 (113.7)							
			50			70 (265.3)	68 (257.7)	66 (250.1)	64 (242.6)	61 (231.2)	58 (219.8)	55 (208.5)	52 (197.1)	48 (181.9)	45 (170.6)	36 (136.4)	25 (94.8)						
			60			68 (257.7)	66 (250.1)	63 (238.8)	61 (231.2)	58 (219.8)	55 (208.5)	52 (197.1)	48 (181.9)	45 (170.6)	41 (155.4)	31 (117.5)							
			70			65 (246.4)	63 (238.8)	60 (227.4)	57 (216.0)	54 (204.7)	51 (193.3)	48 (181.9)	44 (166.8)	41 (155.4)	37 (140.2)	26 (98.5)							
			80			62 (235.0)	60 (227.4)	57 (216.0)	54 (204.7)	51 (193.3)	47 (178.1)	44 (166.8)	40 (151.6)	36 (136.4)	32 (121.3)	20 (75.8)							
			90			59 (223.6)	57 (216.0)	53 (200.9)	50 (189.5)	47 (178.1)	43 (163.0)	39 (147.8)	35 (132.7)	31 (117.5)	26 (98.5)								
			100			56 (212.2)	54 (204.7)	50 (189.5)	46 (174.3)	43 (163.0)	39 (147.8)	35 (132.7)	30 (113.7)	26 (98.5)	21 (79.6)								
			110			52 (197.1)	49 (185.7)	46 (174.3)	42 (159.2)	38 (144.0)	34 (128.9)	30 (113.7)	25 (94.8)	20 (75.8)									
			120			49 (185.7)	45 (170.6)	41 (155.4)	37 (140.2)	33 (125.1)	29 (109.9)	24 (91.0)	19 (72.0)										
			130			45 (170.6)	41 (155.4)	37 (140.2)	33 (125.1)	28 (106.1)	24 (91.0)												
			140			31 (117.5)	26 (98.5)	21 (79.6)															
			Shut-Off PSI				232	223	214	206	197	188	180	171	162	154	132	110	89	67		45	

NOTE: Performance shown does not include friction loss in the drop pipe; all performance data is based on rated motor nameplate voltage

ENGINEERING DATA



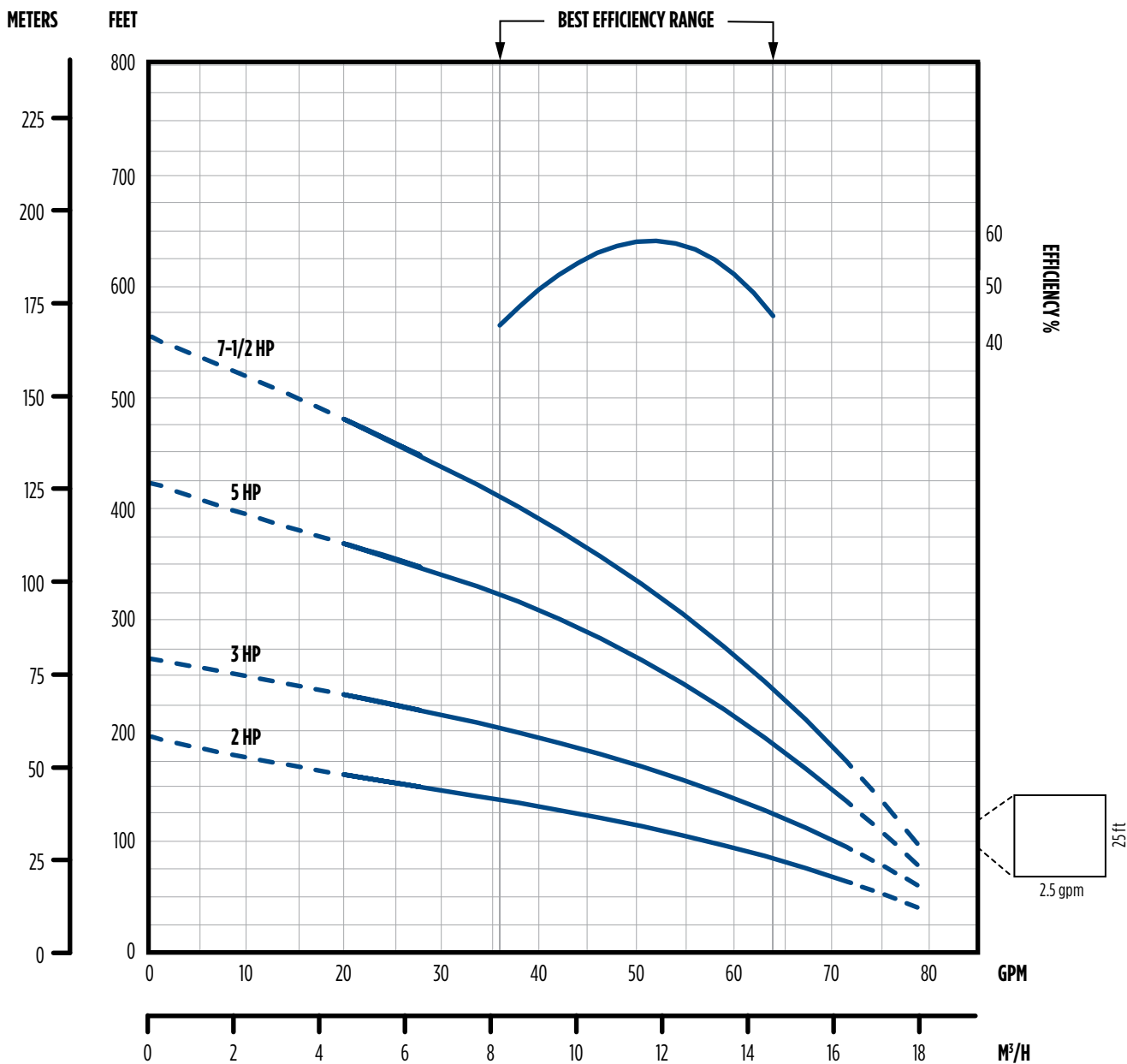
Item No.	Model	Dimension "A"	Dimension "B"	Dimension "C"
558528	W60G20S06-PE	1.75" (4.4 cm)	2.15" (5.5 cm)	21.09" (53.6 cm)
558529	W60G30S08-PE	1.75" (4.4 cm)	2.15" (5.5 cm)	25.34" (64.4 cm)
558530	W60G50S13-PE	1.75" (4.4 cm)	2.15" (5.5 cm)	36.84" (93.6 cm)
558531	W60G75S17-PE	1.75" (4.4 cm)	2.15" (5.5 cm)	45.34" (115.2 cm)

4" HIGH CAPACITY PUMPS

MENU

60 GPM

PERFORMANCE DATA



90 GPM

APPLICATIONS

- For both new installs and replacement applications where water must be transferred under pressure from wells, cisterns, ponds, lakes, and streams

FEATURES

- Stainless steel discharge head and motor bracket
- High flow impellers and stages are glass-filled "Modified PPO" for maximum efficiency
- Ceramic shaft sleeve and rubber discharge bearing eliminates sand wear
- Intermediate bearing for increased shaft stability
- Floating eye and hub seals for improved performance and efficiency
- Stainless steel hex pump shaft, shell and shaft coupling
- Powered by Franklin's corrosion-resistant 4" submersible motors
- 2" NPT discharge
- Check valve must be ordered separately

SERIES SPECIFICATIONS

Stainless Steel Discharge Pump End Only						
Item No.	Model	HP	Stages	Shut-Off ft (m)	Dimensions Pump End Only	Weight lbs (kg)
558532	W90G20S05-PE	2	5	120 (36.6)	22.56" (57.3 cm)	15 (6.8)
558533	W90G30S07-PE	3	7	167 (51)	28.56" (75.5 cm)	17 (7.7)
558534	W90G50S12-PE	5	12	285 (86.9)	43.56" (110.6 cm)	21 (9.5)
558535	W90G75S19-PE	7-1/2	19	425 (125.5)	64.48" (163.8 cm)	37 (16.8)

NOTE: Discharge is 2" NPT; maximum diameter with cable guard is 3.90" (9.9 cm)



4" HIGH CAPACITY PUMPS



90 GPM

CAPACITIES IN GPM (LPM)

Model	HP	Stage	PSI	Depth to Pumping Water Level in ft (m)														Shut-Off ft (m)			
				20 (6.1)	40 (12.2)	60 (18.3)	80 (24.4)	100 (30.1)	120 (36.6)	140 (42.7)	160 (48.8)	180 (54.9)	200 (61)	250 (76.2)	300 (91.4)	350 (106.7)	400 (121.9)		450 (146.3)		
W90G20S05-PE	2	5	0		113 (428.3)	92 (348.7)	67 (253.9)	48 (181.9)											120 (36.6)		
			10	110 (416.9)	88 (333.5)	64 (242.6)	45 (170.6)														
			20	84 (318.4)	61 (231.2)	40 (151.6)															
			30	58 (219.8)	35 (132.7)																
Shut-Off PSI				43	35	26	17	9													
W90G30S07-PE	3	7	0			110 (416.9)	96 (363.8)	79 (299.4)	64 (242.6)	49 (185.7)								167 (50.9)			
			10		108 (409.3)	93 (352.5)	76 (288.0)	61 (231.2)	46 (174.3)												
			20	106 (401.7)	90 (341.1)	74 (280.5)	59 (223.6)	43 (163.0)													
			30	88 (333.5)	71 (269.1)	57 (216.0)	39 (147.8)														
			40	69 (261.5)	55 (208.5)	35 (132.7)															
			50	53 (200.9)	30 (113.7)																
Shut-Off PSI				64	55	46	38	29	20	12											
W90G50S12-PE	5	12	0					113 (428.3)	106 (401.7)	96 (363.8)	85 (322.2)	74 (280.5)	64 (242.6)	41 (155.4)				285 (86.9)			
			10				112 (424.5)	104 (394.2)	94 (356.3)	83 (314.6)	72 (272.9)	63 (238.8)	55 (208.5)								
			20			111 (420.7)	103 (390.4)	92 (348.7)	81 (307.0)	71 (269.1)	62 (235.0)	53 (200.9)	44 (166.8)								
			30		110 (416.9)	101 (382.8)	91 (344.9)	80 (303.2)	69 (261.5)	60 (227.4)	52 (197.1)	42 (159.2)									
			40	109 (413.1)	100 (379.0)	89 (337.3)	78 (295.6)	68 (257.7)	59 (223.6)	51 (193.3)	40 (151.6)										
			50	98 (371.4)	87 (329.7)	76 (288.0)	66 (250.1)	58 (219.8)	49 (185.7)	38 (144.0)											
			60	85 (322.2)	75 (284.3)	65 (246.4)	56 (212.2)	48 (181.9)	35 (132.7)												
			70	73 (276.7)	63 (238.8)	55 (208.5)	46 (174.3)	33 (125.1)													
			80	62 (235.0)	54 (204.7)	45 (170.6)	30 (113.7)														
			90	53 (200.9)	43 (163.0)																
			100	41 (155.4)																	
Shut-Off PSI				115	106	97	89	80	71	63	54	45	37	15							

4" HIGH CAPACITY PUMPS



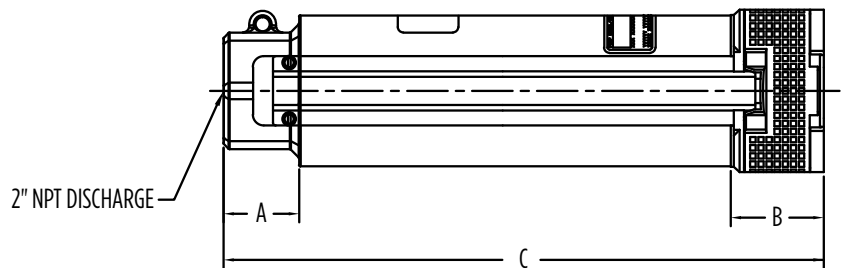
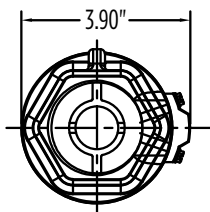
90 GPM

CAPACITIES IN GPM (LPM) - CONT.

Model	HP	Stage	PSI	Depth to Pumping Water Level in ft (m)															Shut-Off ft (m)		
				20 (6.1)	40 (12.2)	60 (18.3)	80 (24.4)	100 (30.1)	120 (36.6)	140 (42.7)	160 (48.8)	180 (54.9)	200 (61)	250 (76.2)	300 (91.4)	350 (106.7)	400 (121.9)	450 (146.3)			
W90G75S19-PE	7-1/2	19	0						116 (439.6)	112 (424.5)	107 (405.5)	101 (382.8)	94 (356.3)	76 (288.0)	60 (227.4)	46 (174.3)				425 (129.5)	
			10					115 (435.9)	111 (420.7)	108 (409.3)	100 (379.0)	93 (352.5)	86 (325.9)	68 (257.7)	54 (204.7)	38 (144.0)					
			20				115 (435.9)	110 (416.9)	105 (398.0)	99 (375.2)	92 (348.7)	85 (322.2)	77 (291.8)	61 (231.2)	47 (178.1)						
			30			114 (432.1)	109 (413.1)	104 (394.2)	98 (371.4)	91 (344.9)	83 (314.6)	76 (288.0)	70 (265.3)	55 (208.5)	40 (151.6)						
			40		113 (428.3)	109 (413.1)	103 (390.4)	96 (363.8)	90 (341.1)	82 (310.8)	75 (284.3)	69 (261.5)	62 (235.0)	49 (185.7)							
			50	113 (428.3)	108 (409.3)	102 (386.6)	95 (360.1)	88 (333.5)	81 (307.0)	74 (280.5)	68 (257.7)	61 (231.2)	56 (212.2)	41 (155.4)							
			60	107 (405.5)	101 (382.8)	94 (356.3)	87 (329.7)	80 (303.2)	73 (276.7)	67 (253.9)	61 (231.2)	55 (208.5)	50 (189.5)	31 (117.5)							
			70	100 (379.0)	93 (352.5)	86 (325.9)	79 (299.4)	72 (272.9)	66 (250.1)	60 (227.4)	54 (204.7)	49 (185.7)	42 (159.2)								
			80	92 (348.7)	85 (322.2)	78 (295.6)	71 (269.1)	65 (246.4)	59 (223.6)	53 (200.9)	48 (181.9)	41 (155.4)	33 (125.1)								
			90	84 (318.4)	77 (291.8)	70 (265.3)	64 (242.6)	58 (219.8)	53 (200.9)	47 (178.1)	40 (151.6)	31 (117.5)									
			100	76 (288.0)	69 (261.5)	63 (238.8)	57 (216.0)	52 (197.1)	46 (174.3)	39 (147.8)											
			110	68 (257.7)	62 (235.0)	56 (212.2)	51 (193.3)	45 (170.6)	38 (144.0)												
			120	61 (231.2)	55 (208.5)	50 (189.5)	44 (166.8)	36 (136.4)													
			130	55 (208.5)	49 (185.7)	43 (163.0)	35 (132.7)														
			140	48 (181.9)	42 (159.2)	33 (125.1)															
			150	41 (155.4)	32 (121.3)																
Shut-Off PSI				175	167	158	149	141	132	123	115	106	97	76	54	32					

NOTE: Performance shown does not include friction loss in the drop pipe; all performance data is based on rated motor nameplate voltage

ENGINEERING DATA



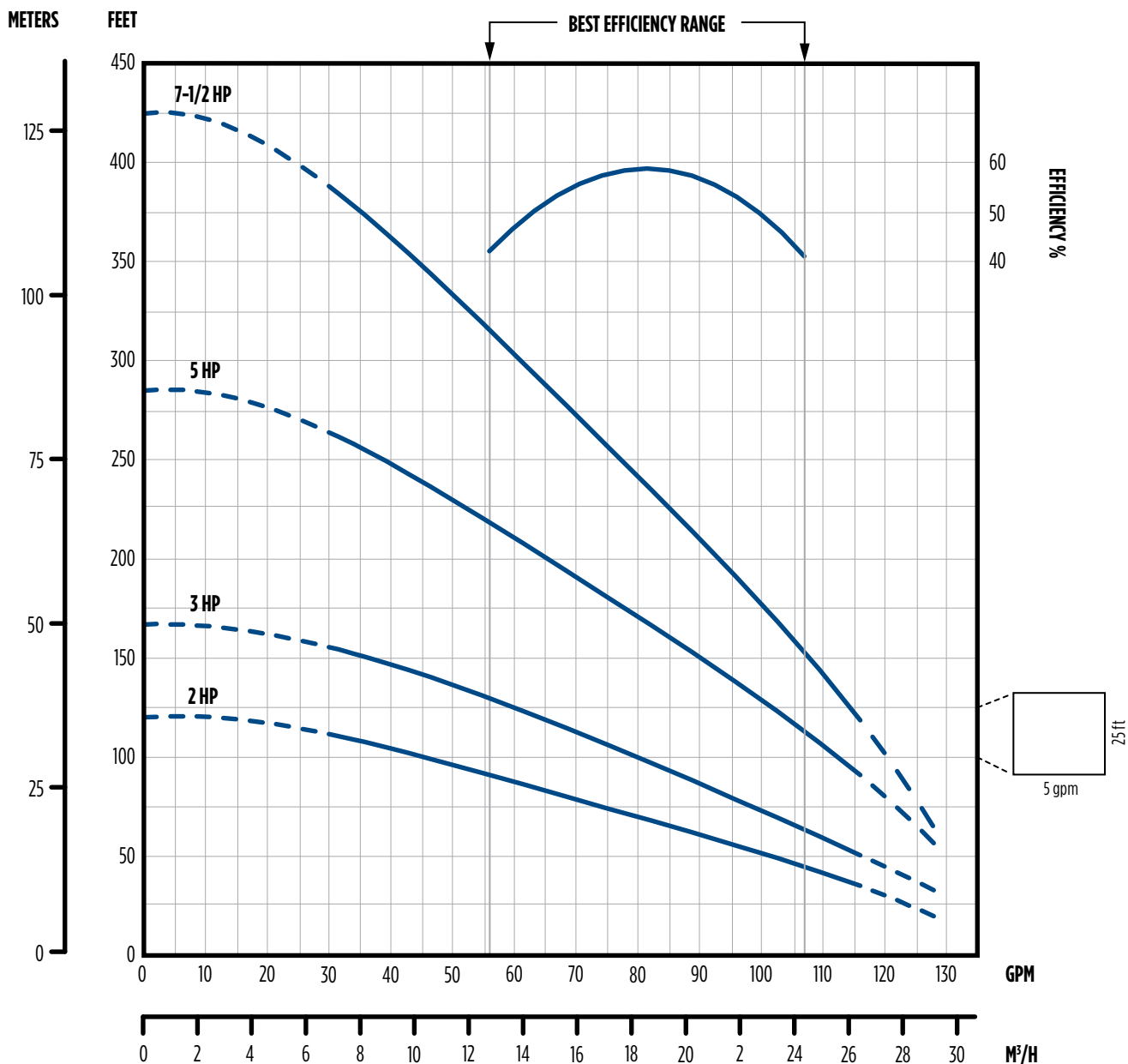
Item No.	Model	Dimension "A"	Dimension "B"	Dimension "C"
558532	W90G20S05-PE	1.75" (4.5 cm)	2.15" (5.5 cm)	22.65" (57.5 cm)
558533	W90G30S07-PE	1.75" (4.5 cm)	2.15" (5.5 cm)	28.65" (72.8 cm)
558534	W90G50S12-PE	1.75" (4.5 cm)	2.15" (5.5 cm)	43.65" (110.9 cm)
558535	W90G75S19-PE	1.75" (4.5 cm)	2.15" (5.5 cm)	64.59" (164.1 cm)

4" HIGH CAPACITY PUMPS

MENU

90 GPM

PERFORMANCE DATA



QD, STANDARD, & DELUXE

APPLICATIONS

- Quick Disconnect (QD) & Capacitor Run Control (CRC) - These control boxes are designed for use with Franklin 3-wire single-phase submersible motors through 1 hp

FEATURES

- Suitable for outdoor mounting
- Capacitor Start/Capacitor Run design (except QD boxes)
- External access to overload resets
- Multiple-size knockouts
- User-friendly connection diagrams
- Easy access to grounding lugs



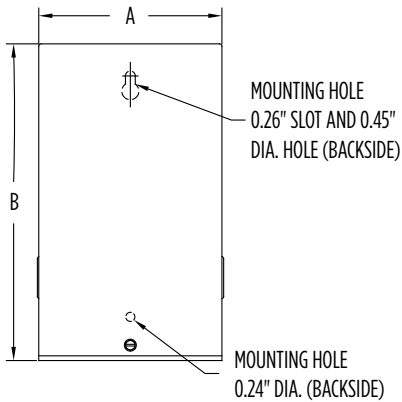
SERIES SPECIFICATIONS

Item No.	Model	HP	Volts	Hz	Wire	Weight (lbs)
2801044915	CB-1/2-115-60-Q	1/2	115	60	3	3
2801054915	CB-1/2-230-60-Q	1/2	230	60	3	3
2824055015	CB-1/2-230-60-CRC	1/2	230	60	3	5
2801074915	CB-3/4-230-60-Q	3/4	230	60	3	3
2824075015	CB-3/4-230-60-CRC	3/4	230	60	3	5
2801084915	CB-1-230-60-Q	1	230	60	3	3
2824085015	CB-1-230-60-CRC	1	230	60	3	5
2823008110	CB-1.5-230-60-S	1-1/2	230	60	3	7
2823018110	CB-2-230-60-S	2	230	60	3	7
2823018310	CB-2-230-60-D	2	230	60	3	7

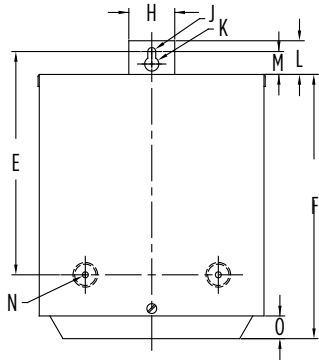
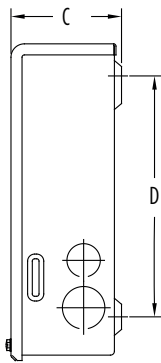
Quick Disconnect Control Boxes (QD)				Capacitor Run Control Box (CRC)				Standard Capacitor Start Capacitor Run Control Box			
Item No.	HP	Recommended Pump		Item No.	HP	Recommended Pump		Item No.	HP	Recommended Pump	
		Item No.	Model			Item No.	Model			Item No.	Model
2801054915	1/2	558554	W5G05S13-32P	2824055015	1/2	558554	W5G05S13-32P	2823008110	1-1/2	558572	W12G15S17-32P
	1/2	558561	W8G05S9-32P		1/2	558561	W8G05S9-32P			558596	W12G15S17-32S
	1/2	558569	W12G05S7-32P		1/2	558569	W12G05S7-32P			-	-
	1/2	558578	W5G05S13-32S		1/2	558578	W5G05S13-32S			-	-
	1/2	558585	W8G05S9-32S		1/2	558585	W8G05S9-32S			-	-
2801074915	1/2	558593	W12G05S7-32S	-	-	W12G05S7-32S	-	-	-	-	
	3/4	558555	W5G07S18-32P	3/4	558555	W5G07S18-32P	-	-	-	-	
	3/4	558562	W8G07S12-32P	3/4	558562	W8G07S12-32P	-	-	-	-	
	3/4	558570	W12G07S9-32P	3/4	558570	W12G07S9-32P	-	-	-	-	
	3/4	558579	W5G07S18-32S	3/4	558579	W5G07S18-32S	-	-	-	-	
	3/4	558586	W8G07S12-32S	3/4	558586	W8G07S12-32S	-	-	-	-	
2801084915	3/4	558594	W12G07S9-32S	-	-	W12G07S9-32S	-	-	-	-	
	1	558563	W8G10S15-32P	1	558556	W5G10S21-32P	-	-	-	-	
	1	558571	W12G10S12-32P	1	558563	W8G10S15-32P	-	-	-	-	
	1	558574	W22G10S7-32P	1	558571	W12G10S12-32P	-	-	-	-	
	1	558580	W5G10S21-32S	1	558574	W22G10S7-32P	-	-	-	-	
	1	558587	W8G10S15-32S	1	558580	W5G10S21-32S	-	-	-	-	
	1	558595	W12G10S12-32S	1	558587	W8G10S15-32S	-	-	-	-	
1	558598	W22G10S7-32S	1	558595	W12G10S12-32S	-	-	-	-		
				1	558598	W22G10S7-32S	-	-	-	-	

QD, STANDARD, & DELUXE

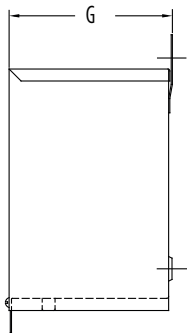
ENGINEERING DATA



QUICK DISCONNECT AND CAPACITOR RUN CONTROL BOX



STANDARD CAPACITOR CAPACITOR RUN CONTROL BOX



A	B	C	D	E	F	G	H	J	K	L	M	N	O
4.81" (12.2 cm)	8.41" (21.4 cm)	2.84" (7.21 cm)	6.35" (16.1 cm)	7.88" (20.0 cm)	9.31" (23.6 cm)	5.84" (14.8 cm)	1.62" (4.1 cm)	R.14" (R.35 cm)	R.25" (R.63 cm)	1.19" (3.0 cm)	.81" (2.1 cm)	Ø.21 (Ø.53 cm)	.80" (2.0 cm)

4" SUBMERSIBLE MOTORS

SERIES SPECIFICATIONS

4" 2-Wire Single-Phase							
Item No.	HP	kW	Volts	Hz	SF	Downward Thrust Rating	Weight lbs (kg)
2445029004GS	1/3	0.25	115	60	1.75	300	16 (7.26)
2445039004GS	1/3	0.25	230	60	1.75	300	16 (7.26)
2445059004GS	1/2	0.37	115	60	1.6	300	18 (8.2)
2445049004GS	1/2	0.37	230	60	1.6	300	18 (8.2)
2445079004GS	3/4	0.55	230	60	1.5	300	21 (9.5)
2445089003GS	1	0.75	230	60	1.4	650	24 (10.9)
2443099004GS	1-1/2	1.1	230	60	1.3	650	31 (14.1)

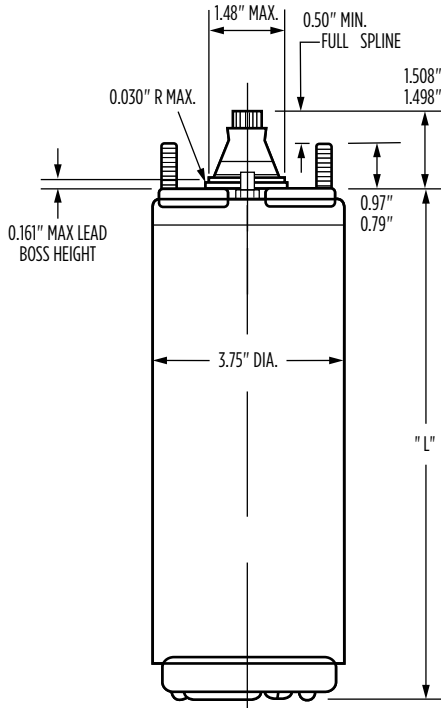
4" 3-Wire Single-Phase							
Item No.	HP	kW	Volts	Hz	SF	Downward Thrust Rating	Weight lbs (kg)
2145029004GS	1/3	0.25	115	60	1.75	300	17 (7.7)
2145039004GS	1/3	0.25	230	60	1.75	300	17 (7.7)
2145049004GS	1/2	0.37	115	60	1.6	300	19 (8.6)
2145059004GS	1/2	0.37	230	60	1.6	300	19 (8.6)
2145079004GS	3/4	0.55	230	60	1.5	300	21 (9.5)
2145089003GS	1	0.75	230	60	1.4	650	24 (10.9)
2243009203GS	1-1/2	1.1	230	60	1.3	650	28 (14.7)
2243019204GS	2	1.5	230	60	1.25	650	33 (15)

4" Three-Phase							
Item No.	HP	kW	Volts	Hz	SF	Downward Thrust Rating	Weight lbs (kg)
2345049203GS	1-1/2	1.1	200	60	1.3	650	29 (13.2)
2345149203GS	1-1/2	1.1	230	60	1.3	650	29 (13.2)
2345249403GS	1-1/2	1.1	460/380	60/50	1.3/1.0	650	28 (14.7)
2343059204GS	2	1.5	200	60	1.25	650	34 (15.4)
2343159204GS	2	1.5	230	60	1.25	650	34 (15.4)
2343259404GS	2	1.5	460/380	60/50	1.25/1.0	650	34 (15.4)
2343162604G	3	2.2	230	60	1.15	900	41 (18.6)
2343262604G	3	2.2	460/380	60/50	1.15/1.0	900	41 (18.6)
2343362604G	3	2.2	575	60	1.15	900	41 (18.6)
2343178602G	5	3.7	230	60	1.15	1500	56 (25.4)
2343278602G	5	3.7	460/380	60/50	1.15/1.0	1500	56 (25.4)
2343378602G	5	3.7	575	60	1.15	1500	56 (25.4)
2343188602G	7-1/2	5.5	230	60	1.15	1500	71 (32.2)
2343288602G	7-1/2	5.5	460/380	60/50	1.15/1.0	1500	71 (32.2)
2343388602G	7-1/2	5.5	575	60	1.15	1500	71 (32.2)



4" SUBMERSIBLE MOTORS

ENGINEERING DATA



HP	kW	"L" (in)	Shipping Weight		Motor Carton Size	
			lbs	kg	in	cm
1/3	0.25	8.76	16	7.3	4.25 x 4.375 x 16	10.8 x 11.1 x 40.6
1/2	0.37	9.51	18	8.2	4.25 x 4.375 x 16	10.8 x 11.1 x 40.6
3/4	0.55	10.64	21	9.5	4.25 x 4.375 x 19	10.8 x 11.1 x 48.3
1	0.75	11.73	24	10.9	4.25 x 4.375 x 19	10.8 x 11.1 x 48.3
1-1/2	1.1	15.12	31	14.1	4.25 x 4.375 x 21	10.8 x 11.1 x 53.3

HP	kW	"L" (in)	Shipping Weight		Motor Carton Size	
			lbs	kg	in	cm
1/3	0.25	8.76	17	7.7	4.25 x 4.375 x 16	10.8 x 11.1 x 40.6
1/2	0.37	9.51	19	8.6	4.25 x 4.375 x 16	10.8 x 11.1 x 40.6
3/4	0.55	10.64	21	9.5	4.25 x 4.375 x 19	10.8 x 11.1 x 48.3
1	0.75	11.73	24	10.9	4.25 x 4.375 x 19	10.8 x 11.1 x 48.3
1-1/2	1.1	13.62	28	12.7	4.25 x 4.375 x 21	10.8 x 11.1 x 53.3
2	1.5	15.12	33	15.0	4.25 x 4.375 x 21	10.8 x 11.1 x 53.3
3	2.2	19.04	41	18.6	4.25 x 4.375 x 21	10.8 x 11.1 x 53.3

HP	kW	"L" (in)	Shipping Weight		Motor Carton Size	
			lbs	kg	in	cm
1/2	0.37	9.51	18	8.2	4.25 x 4.375 x 16	10.8 x 11.1 x 40.6
3/4	0.55	10.64	21	9.5	4.25 x 4.375 x 16	10.8 x 11.1 x 40.6
1	0.75	11.73	24	10.9	4.25 x 4.375 x 19	10.8 x 11.1 x 48.3
1-1/2	1.1	11.73	24	10.9	4.25 x 4.375 x 19	10.8 x 11.1 x 48.3
2	1.5	13.62	28	12.7	4.25 x 4.375 x 21	10.8 x 11.1 x 53.3
3	2.2	16.04	35	15.9	4.25 x 4.375 x 21	10.8 x 11.1 x 53.3

HP	kW	"L" (in)	Shipping Weight		Motor Carton Size	
			lbs	kg	in	cm
1-1/2	1.1	18	37	16.8	6.5 x 6.25 x 21.50	16.5 x 15.9 x 54.6
2	1.5	19.12	44	20.0	6.5 x 6.25 x 24.25	16.5 x 15.9 x 61.6
3	2.2	20.2	44	20.0	6.5 x 6.25 x 24.25	16.5 x 15.9 x 61.6
5	3.7	23.2	56	25.4	6.5 x 6.25 x 27.25	16.5 x 15.9 x 69.2
7-1/2	5.5	29.2	71	32.2	6.5 x 6.25 x 33.25	16.5 x 15.9 x 84.5

GLOSSARY

TERMS

- **Air Volume Control:** Designed to maintain the air charge in a standard water storage tank. Pre-charged tanks do not require an air volume control.
- **Atmospheric Pressure:** A force exerted upon the earth's surface by the weight of air extending to a height of 25 miles above the earth. At sea level, 14.7 pounds per square inch (psi).
- **Centrifugal Force:** The force created by a spinning or rotating impeller resulting in the movement of water outward from the center point. A pump uses an impeller to create centrifugal force.
- **Check Valve:** Allows water to move in only one direction which prevents water from returning to its source.
- **Convertible Jet Pump:** For deep wells where pumping water levels are as far as 90 feet below the pump. Also easily converted for shallow wells where pumping water levels are no more than 25 feet below the pump. Jet packages must be purchased separately.
- **Cut-in Pressure Setting:** The point at which the pressure switch turns the pump on.
- **Deep Well:** Well with a depth to water greater than 25 feet.
- **Depth to Water:** The vertical measurement from pump level down to water level of water source. Pump height above water.
- **Discharge Pressure:** The amount of force, or pressure of the water being discharged from the pump.
- **Dual Voltage Motor:** Pump motor that can be operated on 115 or 230 Volts.
- **Foot Valve:** Installs on the end of pump suction pipe to prevent water from draining back to source. Includes strainer to minimize suction of debris into pump.
- **GPH:** Gallons per hour.
- **GPM:** Gallons per minute.
- **HP:** Horsepower (power of motor).
- **Jet Pump:** A centrifugal pump which requires a jet to help build additional water pressure.
- **Multi-Stage Jet Pump:** For use on deep wells only, with pumping water levels as far as 210 feet below the pump.
- **PSI:** Pounds per square inch. A volumetric pressure measure.
- **Pre-Charged Tank:** A water storage tank pre-charged with air at the factory featuring a rubber diaphragm to separate water from air which prevents waterlogging. This tank design provides greater drawdown than standard tanks. Pre-charged tanks do not require an air volume control.
- **Pressure:** A force usually expressed in pounds per square inch.
- **Pressure Switch:** The switch that automatically turns the pump on and off at specified pressures 30/50 psi and 40/60 psi. **IMPORTANT:** Always replace an old switch with a new switch that has the same pressure settings.
 - **30/50 Pressure Operation:** Pressure switch turns pump on at 30 psi and off at 50 psi.
 - **40/60 Pressure Operation:** Pressure switch turns pump on at 40 psi and off at 60 psi.
- **Priming the Pump:** The initial filling of a jet or centrifugal pump with water so that the air can be removed.
- **Pump Capacity:** The amount of water a pump is capable of moving at a given pressure.
- **Safety Relief Valve:** Required for all submersible pump and pressure boosting installations to prevent over-pressurization of water storage tank and system piping that could develop from pressure switch malfunction.
- **Shallow Well:** Well with a depth of water of 25 feet or less.
- **Shallow Well Pump:** For use on wells where pumping water levels are no more than 25 feet below the pump. Features a built-in jet.
- **Sizing:** Properly matching product to application for best performance.
- **Standard Tank:** A pressurized water storage tank where air comes in contact with water. Requires air volume control for proper operation.
- **Submersible Pump Control Box:** Installs above ground. Contains electrical starting components for three-wire submersible deep well pumps. Two-wire submersible deep well pumps do not use a control box.
- **Submersible Deep Well Pump:** For use on wells where pump water levels are up to 400 feet below point of use. Pump is submerged under water in the well.
- **Tank Drawdown:** The amount of usable water available from a water storage tank between pump stops and starts.
- **Waterlogging:** The absorption of air into water stored in a water storage tank which greatly reduces the amount of usable water drawdown available from the tank.
- **Water Storage Tank:** Stores air and water under pressure to provide for automatic pump operation and a source of water when pump is not running.

